

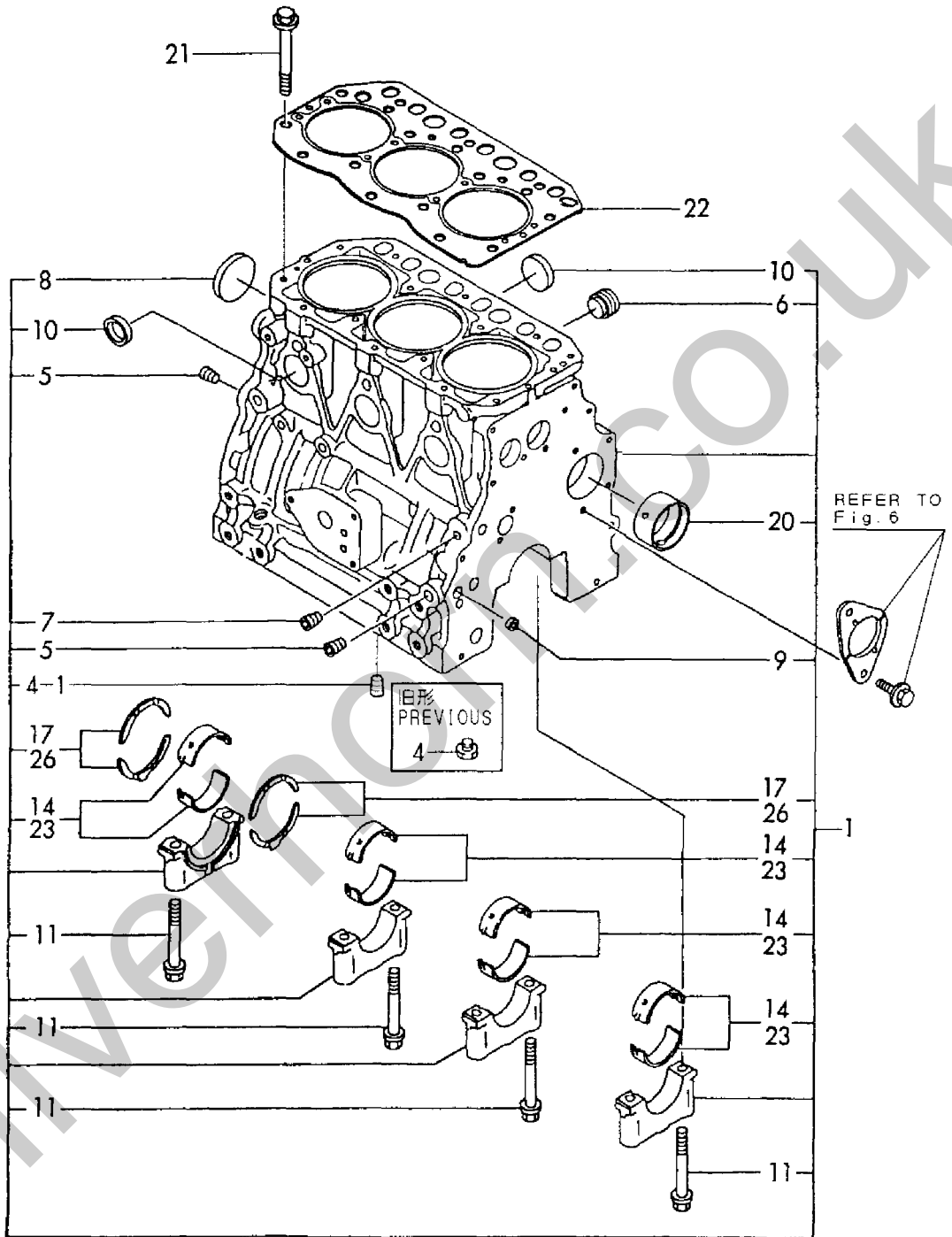
[Info]
PcNo=Y00B5912
PcName=3TNE82A-BVA(VIO30-1)
JpnUse=0
JpnSec1=fGf`fWf`
JpnSec2=-§ -
JpnSec3=TNE
JpnPreface=0
EngUse=1
EngSec1=ENGINE
EngSec2=SMALL VERTICAL (ViO)
EngSec3=TNE
EngPreface=0

Silverhorn.CO.UK

1,1,,719813-01560,, "BLOCK ASSY, CYLINDER",1,,,,,,,,,,,,,
4,2,,23887-120002,, "PLUG 12,HEX.",1,,,,,,,,,,,,,
4-1,2,,124160-01910,, "PLUG PT1/4",1,,,,,S,,,,E/#43600,,,,,
5,2,,124160-01910,, "PLUG PT1/4",2,,,,,,,,,,,,,
6,2,,171051-01921,, PLUG,1,,,,,,,,,,,,,
7,2,,23871-010000,, "PLUG PT1/8,SCREW",1,,,,,,,,,,,,,
8,2,,27231-500000,, "PLUG 50",1,,,,,,,,,,,,,
9,2,,27241-120000,, "PLUG 12",2,,,,,,,,,,,,,
10,2,,27241-300000,, "PLUG 30",6,,,,,,,,,,,,,
11,2,,119620-02020,, BOLT,8,,,,,,,,,,,,,
14,2,,119810-02800,, "MAIN BEARING",4,,,,,,,,,,,,,
17,2,,119810-02930,, "BEARING, THRUST",2,,,,,,,,,,,,,
20,2,,129795-02411,, "BUSH, CAMSHAFT",1,,,,,,,,,,,,,
21,1,,119810-01200,, "BOLT, CYL. HEAD",14,,,,,,,,,,,,,
22,1,,119812-01330,, "GASKET, HEAD",1,,,,,A,,,,,
23,1,,119810-02870,, "MAIN BEARING US=0.25",4,,,,,1,,,,,
26,1,,119810-02940,, "BEARING,THRUST .250S",4,,,,,2,,,,,

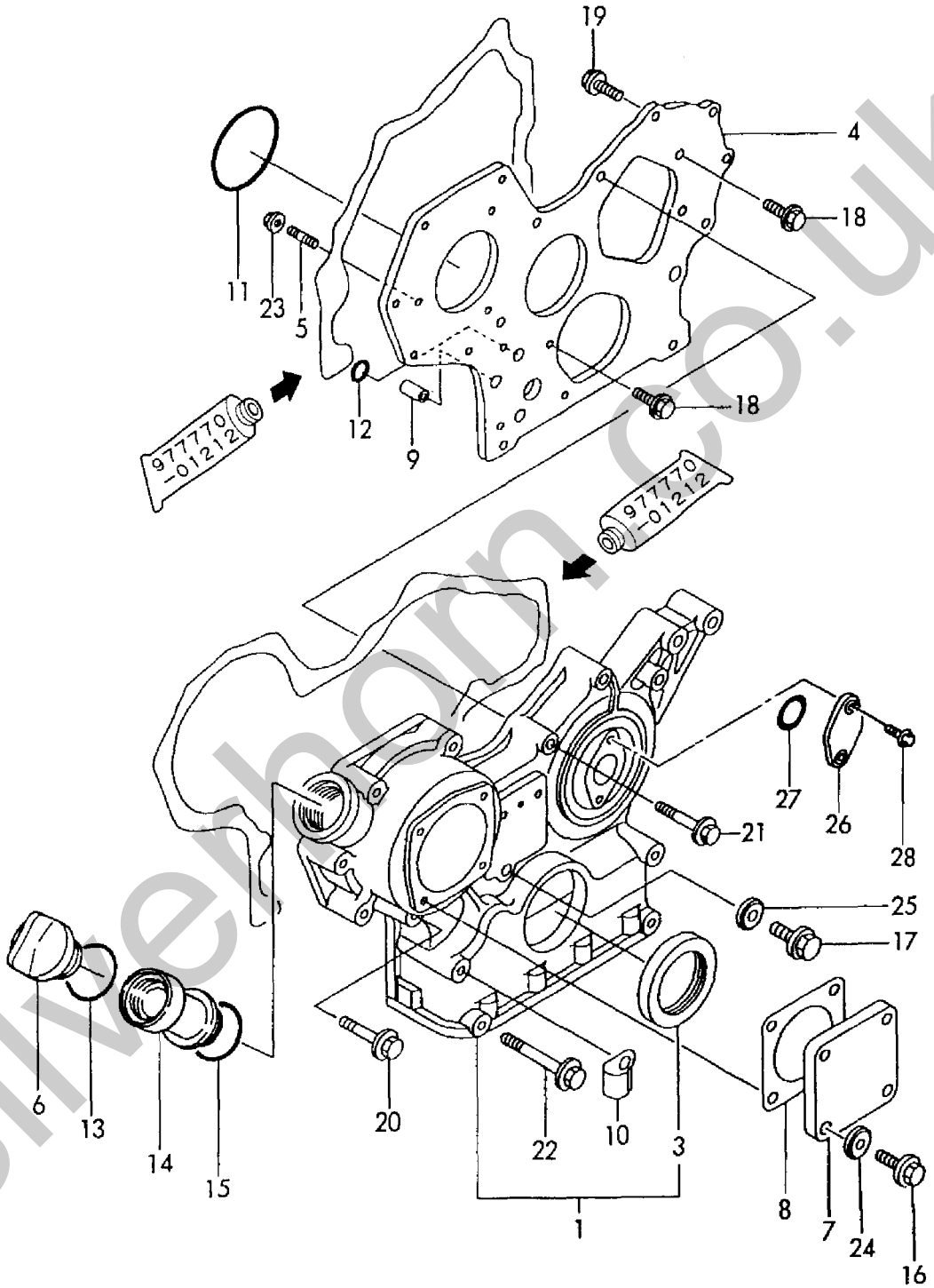
Silverhorn.CO.UK

Fig. 1 シリンダブロック
CYLINDER BLOCK



1,1,,719810-01500,, "HOUSING ASSY, GEAR",1,,,,,,,,,,,,,
 3,2,,129795-01800,, "SEAL, OIL",1,,,,,,,,,,,,,
 4,1,,129400-01520,, "FLANGE,GEARS HOUSING",1,,,,,,,,,,,,,
 5,1,,121450-01560,, "STUD M 8X 22",3,,,,,,,,,,,,,
 6,1,,124160-01751,, "CAP, LUB.OIL SUPPLY",1,,,,,,,,,,,,,
 7,1,,124240-01871,, "COVER, HO-P",1,,,,,,,,,,,,,
 8,1,,124240-01883,, "GASKET, (NON-ASB.)",1,,,,,,,,,A,,,,,,,,,
 9,1,,129795-01950,, "PIPE, KNOCK L=18",2,,,,,,,,,,,,,
 10,1,,129150-03100,, "RETAINER",1,,,,,,,,,,,,,
 11,1,,121850-51960,, "O-RING, F.I.PUMP",1,,,,,,,,,A,,,,,,,,,
 12,1,,24311-000160,, "O-RING 1A P-16.0",2,,,,,,,,,,,,,
 13,1,,24311-000320,, "O-RING 1A P-32.0",1,,,,,,,,,A,,,,,,,,,
 14,1,,171031-11741,, "PIPE",1,,,,,,,,,,,,,
 15,1,,24311-000320,, "O-RING 1A P-32.0",1,,,,,,,,,A,,,,,,,,,
 16,1,,26106-080122,, "BOLT M 8X 12 PLATED",4,,,,,,,,,,,,,
 17,1,,26106-080162,, "BOLT M 8X 16 PLATED",1,,,,,,,,,,,,,
 18,1,,26106-080162,, "BOLT M 8X 16 PLATED",3,,,,,,,,,,,,,
 19,1,,26106-080202,, "BOLT M 8X 20 PLATED",2,,,,,,,,,,,,,
 20,1,,26106-080452,, "BOLT M 8X 45 PLATED",6,,,,,,,,,,,,,
 21,1,,26106-080552,, "BOLT M 8X 55 PLATED",3,,,,,,,,,,,,,
 22,1,,26106-080852,, "BOLT M 8X 85 PLATED",4,,,,,,,,,,,,,
 22-1,1,,129001-91840,, "BOLT M 8X 85 PLATED",4,,,,,,,,,R,,E/#43673,,,,,
 23,1,,26366-080002,, "NUT M 8",3,,,,,,,,,,,,,
 24,1,,22190-080002,, "SEAL WASHER 8S",4,,,,,,,,,,,,,
 25,1,,22190-080002,, "SEAL WASHER 8S",1,,,,,,,,,,,,,
 26,1,,121023-01550,, "COVER, BLIND",1,,,,,,,,,,,,,
 27,1,,24341-000240,, "O-RING 1A S-24.0",1,,,,,,,,,,,,,
 28,1,,26106-060122,, "BOLT M 6X 12 PLATED",2,,,,,,,,,,,,,
 28-1,1,,26106-060162,, "BOLT M 6X 16 PLATED",2,,,,,,,,,N,,EXXX,,,,,

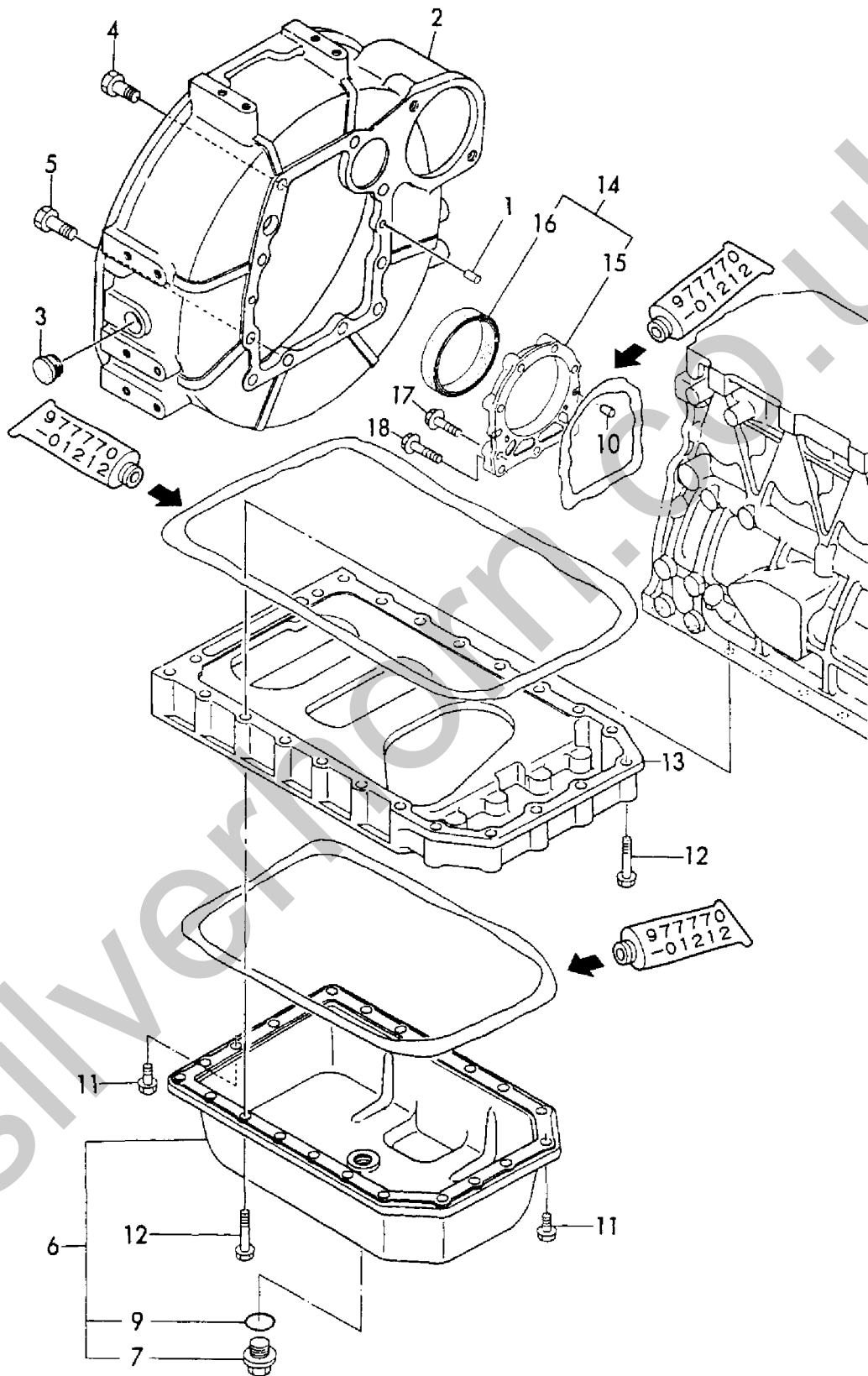


Fig. 2 ギヤケース
GEAR HOUSING

1,1,,129100-01580,, "PARALLEL PIN 8X16",2,,,,,,,,,,,,,
2,1,,171301-01600,, "HOUSING, FLYWHEEL",1,,,,,,,,,,,,,
2-1,1,,129612-01600,, "HOUSING,FLYWHEEL",1,,,,,R,,,,E/#42002,,,,,
3,1,,119620-01750,, "CAP, FLYWHEEL COVER",1,,,,,,,,,,,,,
4,1,,26206-100252,, "BOLT M10X25",6,,,,,,,,,,,,,
5,1,,26206-100302,, "BOLT M10X30",4,,,,,,,,,,,,,
6,1,,119810-01790,, "SUMP ASSY, OIL",1,,,,,,,,,,,,,
7,2,,119640-01640,, "DRAIN PLUG M22",1,,,,,,,,,,,,,
9,2,,22190-220002,, "SEAL WASHER 22S",1,,,,,,,,,,,,,
10,1,,129100-01580,, "PARALLEL PIN 8X16",2,,,,,,,,,,,,,
11,1,,26106-080162,, "BOLT M 8X 16 PLATED",6,,,,,,,,,,,,,
12,1,,26106-080452,, "BOLT M 8X 45 PLATED",22,,,,,,,,,,,,,
13,1,,119810-01730,, "SPACER, L.O. SUMP",1,,,,,,,,,,,,,
14,1,,719810-01650,, "CASE ASSY, OIL SEAL",1,,,,,,,,,,,,,
15,2,,119860-01650,, "CASE, OIL SEAL",1,,,,,,,,,,,,,
16,2,,119810-01780,, "SEAL, OIL",1,,,,,,,,,,,,,
17,1,,129486-01670,, "BOLT M8X30,COLLAR HD",6,,,,,,,,,,,,,
18,1,,26106-080352,, "BOLT M 8X 35 PLATED",3,,,,,,,,,,,,,

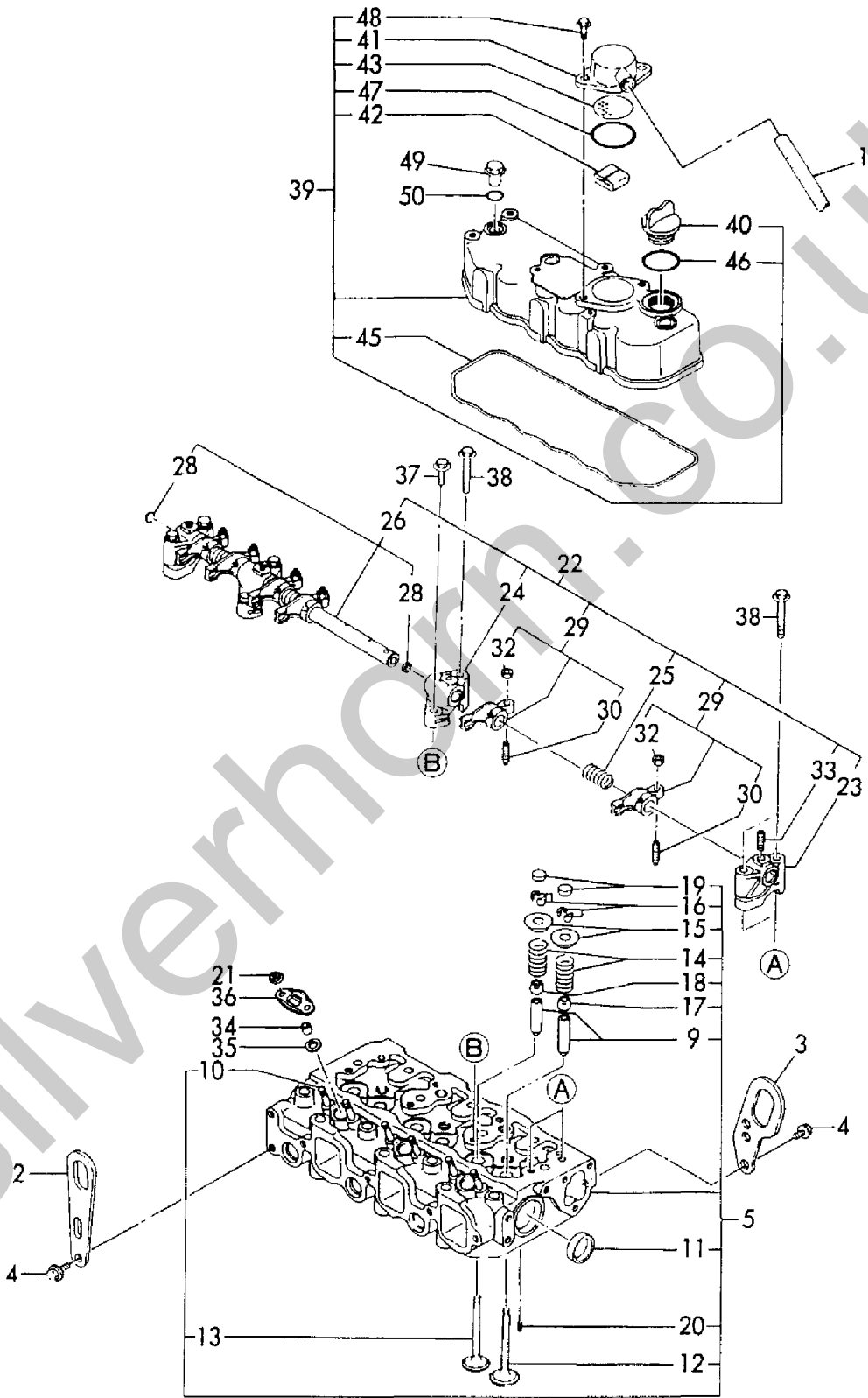
Silverhorn.CO.UK

Fig. 3 フライホイールハウジング&オイルパン
FLYWHEEL HOUSING & LUB.OIL SUMP



1,1,,23065-160950,, "PIPE 16X 950",1,,,,,,,,,,,,,
2,1,,124736-07900,, "LIFTER, ENGINE",1,,,,,,,,,,,,,
3,1,,119260-07900,, "LIFTER, ENGINE",1,,,,,,,,,,,,,
4,1,,26106-080142,, "BOLT M 8X 14 PLATED",4,,,,,,,,,,,,,
5,1,,719812-11700,, "HEAD ASSY, CYLINDER",1,,,,,,,,,,,,,
9,2,,124060-11800,, "GUIDE, VALVE",6,,,,,,,,,1,
10,2,,26216-060302,, "STUD M 6X 30 PLATED",6,,,,,,,,,,,,,
11,2,,27241-400000,, "PLUG 40",2,,,,,,,,,,,,,
12,2,,119810-11100,, "VALVE, SUCTION",3,,,,,,,,,,,,,
13,2,,119810-11110,, "VALVE, EXHAUST",3,,,,,,,,,,,,,
14,2,,119810-11120,, "SPRING, VALVE",6,,,,,,,,,,,,,
15,2,,104211-11180,, "RETAINER, SPRING",6,,,,,,,,,,,,,
16,2,,27310-070000,, "COTTER 7",6,,,,,,,,,,,,,
17,2,,124160-11340,, "SEAL, VALVE STEM",3,,,,,,,,,,,,,
18,2,,124950-11340,, "SEAL, VALVE STEM",3,,,,,,,,,,,,,
19,2,,104211-11370,, "CAP, VALVE",6,,,,,,,,,,,,,
20,2,,22351-060012,, "SPRING PIN 6X12",2,,,,,,,,,,,,,
21,1,,26366-060002,, "NUT M 6",6,,,,,,,,,,,,,
22,1,,119865-11210,, "SUPPORT ASSY, ROCKER",1,,,,,,,,,,,,,
23,2,,129155-11260,, "SUPPORT, ROCKER ARM",2,,,,,,,,,,,,,
24,2,,129155-11270,, "SUPPORT, ROCKER ARM",2,,,,,,,,,,,,,
25,2,,129150-11280,, "SPRING",3,,,,,,,,,,,,,
26,2,,119810-11240,, "SHAFT, ROCKER ARM",1,,,,,,,,,,,,,
28,3,,27241-100000,, "PLUG 10",2,,,,,,,,,,,,,
29,2,,719810-11660,, "ARM ASSY, ROCKER",6,,,,,,,,,,,,,
30,3,,129150-11230,, "SCREW, VALVE",6,,,,,,,,,,,,,
32,3,,129150-11750,, "NUT M8XP1.0",6,,,,,,,,,,,,,
33,2,,26226-080182,, "STUD M 8X 18 PLATED",3,,,,,,,,,,,,,
34,1,,119625-11871,, "PROTECTOR, NOZZLE",3,,,,,,,,,,,,,
34-1,1,,119625-11870,, "PROTECTOR, NOZZLE",3,,,,,N,,,,E/#43600,,,,,
35,1,,119625-11880,, "SEAT, NOZZLE",3,,,,,,,,,,,,,
36,1,,119625-11900,, "RETAINER",3,,,,,,,,,,,,,
37,1,,26106-080252,, "BOLT M 8X 25 PLATED",2,,,,,,,,,,,,,
38,1,,26106-080502,, "BOLT M 8X 50 PLATED",6,,,,,,,,,,,,,
39,1,,719810-11520,, "BONNET ASSY, HEAD",1,,,,,,,,,,,,,
40,2,,124160-01751,, "CAP, LUB.OIL SUPPLY",1,,,,,,,,,,,,,
41,2,,129150-03020,, "COVER, BREATHER",1,,,,,,,,,,,,,
42,2,,129150-03070,, "BAFFLE, BREATHER",1,,,,,,,,,,,,,
43,2,,129150-03080,, "PLATE, SHELTER",1,,,,,,,,,,,,,
45,2,,119865-11310,, "GASKET, BONNET",1,,,,,A,,,,,
46,2,,24311-000320,, "O-RING 1A P-32.0",1,,,,,A,,,,,
47,2,,24341-000500,, "O-RING 1A S-50.0",1,,,,,A,,,,,
48,2,,26106-080162,, "BOLT M 8X 16 PLATED",2,,,,,,,,,,,,,
49,1,,124160-11360,, "KNOB",3,,,,,,,,,,,,,
50,1,,24311-000120,, "O-RING 1A P 12.0",3,,,,,A,,,,,

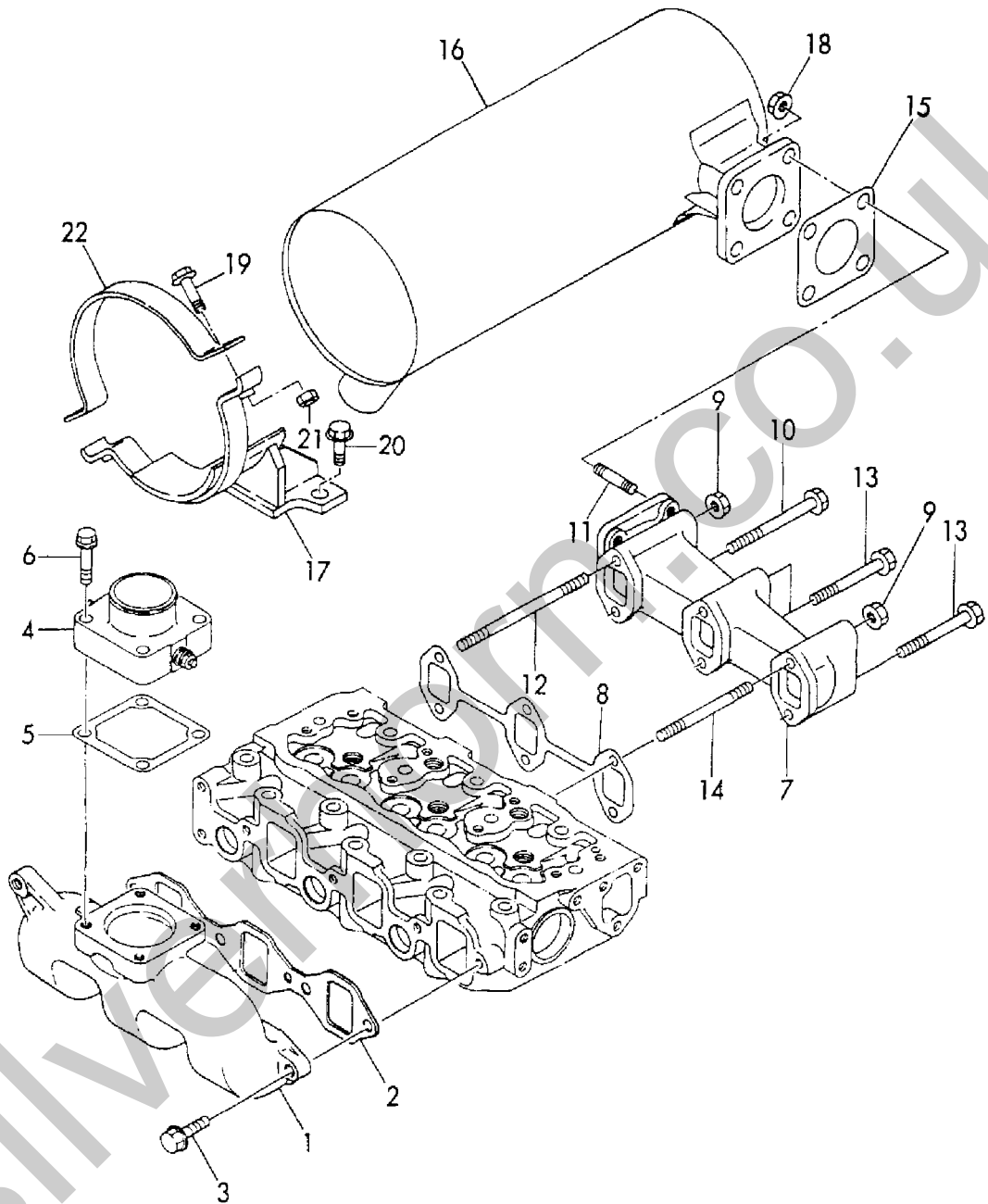
Fig. 4 シリンダヘッド&ボンネット
CYLINDER HEAD & BONNET



1,1,,119810-12100,, "MANIFOLD, SUCTION",1,,,,,,,,,,,,,
2,1,,119810-12111,, "GASKET, (NON-ASB.)",1,,,,,,A,,,,,
3,1,,26106-080252,, "BOLT M 8X 25 PLATED",4,,,,,,,,,,,,,
4,1,,129120-77501,, "HEATER, AIR",1,,,,,,,,,,,,,
5,1,,129150-77511,, "GASKET, (NON-ASB.)",1,,,,,,A,,,,,
6,1,,26106-080352,, "BOLT M 8X 35 PLATED",4,,,,,,,,,,,,,
7,1,,119840-13100,, "MANIFOLD, EXHAUST",1,,,,,,,,,,,,,
8,1,,119810-13110,, "GASKET, EXH.MANIFOLD",1,,,,,,A,,,,,
9,1,,194990-22050,, "NUT W/WASHER 8",2,,,,,,,,,,,,,
9-1,1,,26366-080002,, "NUT M 8",2,,,,,,R,,E/#44525,,,,,
10,1,,26106-080802,, "BOLT M 8X 80 PLATED",1,,,,,,,,,,,,,
11,1,,26216-080222,, "STUD M 8X 22 PLATED",4,,,,,,,,,,,,,
11-1,1,,119131-18320,, "BOLT M 8X 22",4,,,,,,N,,E/#42929,,,,,
12,1,,26216-080802,, "STUD M 8X 80 PLATED",1,,,,,,,,,,,,,
13,1,,26106-080602,, "BOLT M 8X 60 PLATED",3,,,,,,,,,,,,,
14,1,,26216-080602,, "STUD M 8X 60 PLATED",1,,,,,,,,,,,,,
15,1,,124701-11911,, "GASKET, (NON-ASB.)",1,,,,,,A,,,,,
16,1,,119833-13520,, "SILENCER",1,,,,,,,,,,,,,
16-1,1,,119833-13521,, "SILENCER",1,,,,,,N,,E/#41546,,,,,
17,1,,119833-13610,, "STAY, SILENCER",1,,,,,,,,,,,,,
17-1,1,,119833-13611,, "STAY, SILENCER",1,,,,,,N,,E/#40630,,,,,
18,1,,194990-22050,, "NUT W/WASHER 8",4,,,,,,,,,,,,,
18-1,1,,26366-080002,, "NUT M 8",4,,,,,,R,,E/#44525,,,,,
19,1,,26106-080252,, "BOLT M 8X 25 PLATED",2,,,,,,,,,,,,,
20,1,,26106-100182,, "BOLT M10X 18 PLATED",2,,,,,,,,,,,,,
21,1,,194990-22050,, "NUT W/WASHER 8",2,,,,,,,,,,,,,
21-1,1,,26366-080002,, "NUT M 8",2,,,,,,R,,E/#44525,,,,,
22,1,,119888-13670,, "BAND (UPPER)",1,,,,,,,,,,,,,



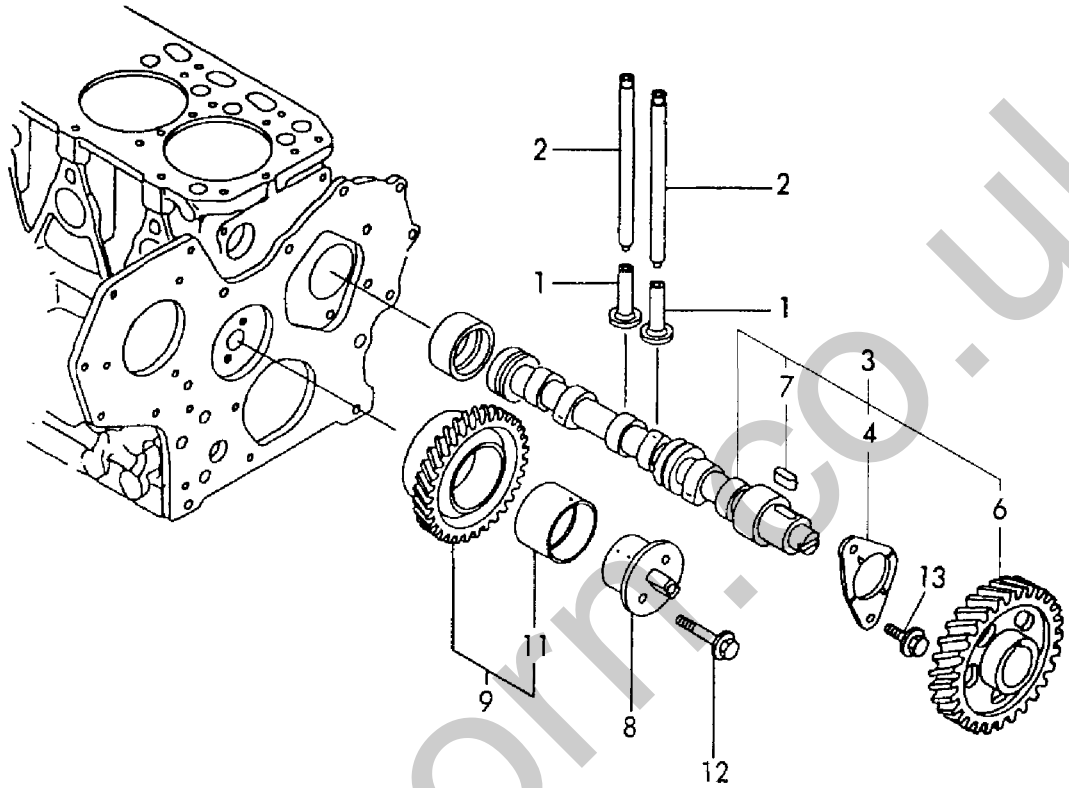
Fig. 5 吸気&排気マニホールド
SUC. & EXH. MANIFOLD



1,1,,129150-14200,,TAPPET,6,,,,,,,,,,,,,,,,,,,,,
2,1,,119810-14400,,,"ROD, PUSH",6,,,,,,,,,,,,,,,,,,,,,
3,1,,119810-14580,,,"CAMSHAFT ASSY",1,,,,,,,,,,,,,,,,,,,,,
4,2,,129150-02450,,,"METAL,THRUST",1,,,,,,,,,,,,,,,,,,,,,
6,2,,129150-14101,,,"GEAR, CAMSHAFT",1,,,,,,,,,,,,,,,,,,,,,
7,2,,22512-070140,,,"KEY 7X 14",1,,,,,,,,,,,,,,,,,,,,,
8,1,,129100-25061,,,"SHAFT, IDLE GEAR",1,,,,,,,,,,,,,,,,,,,,,
9,1,,129150-25101,,,"GEAR W/BUSH",1,,,,,,,,,,,,,,,,,,,,,
11,2,,129150-25061,,,"BUSH, IDLE GEAR",1,,,,,,,,,,,,,,,,,,,,,
12,1,,26106-080452,,,"BOLT M 8X 45 PLATED",2,,,,,,,,,,,,,,,,,,,,,
13,1,,26106-080142,,,"BOLT M 8X 14 PLATED",2,,,,,,,,,,,,,,,,,,,,,

Silverhorn.CO.UK

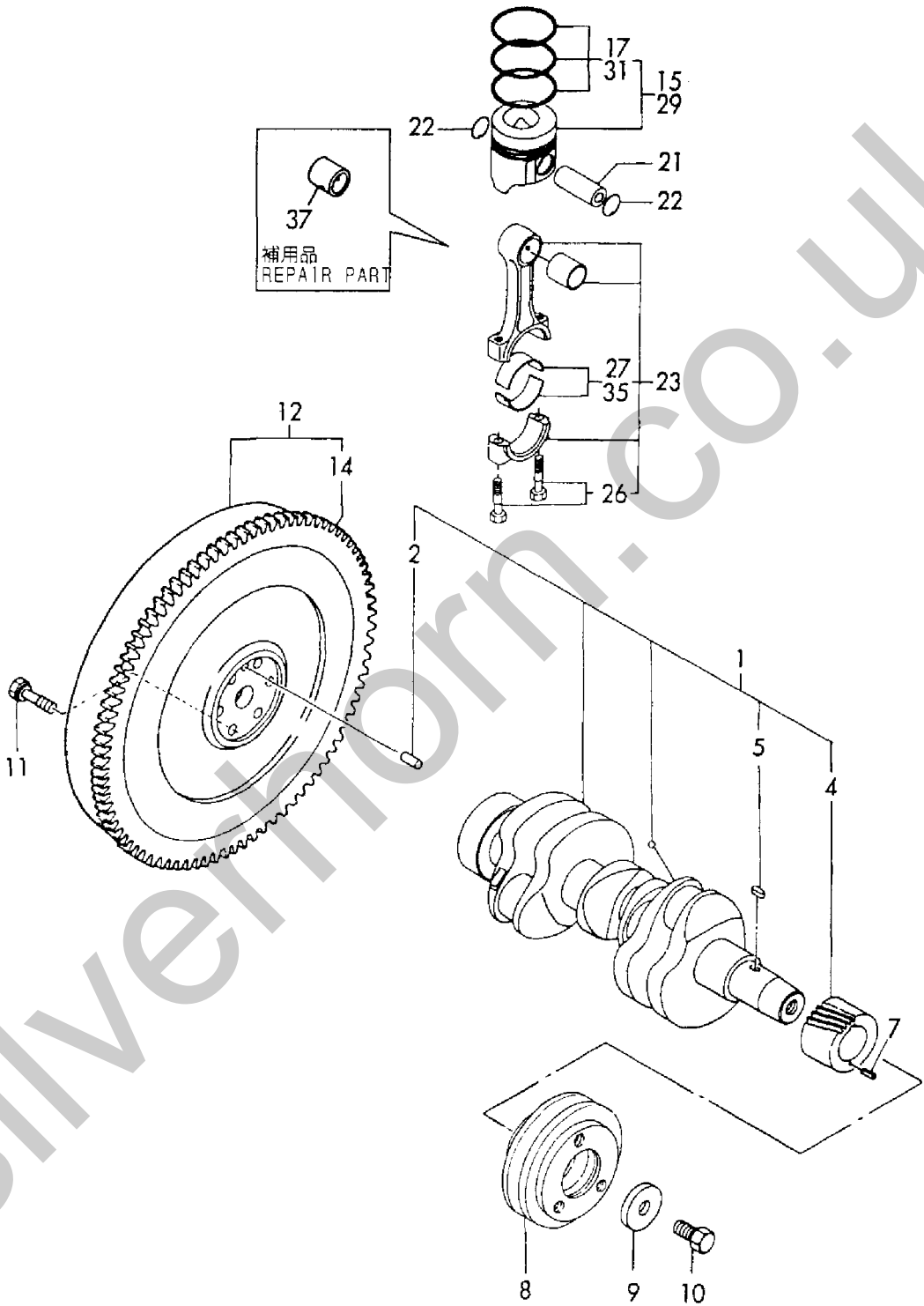
Fig. 6 カムシャフト & 駆動ギヤ
CAMSHAFT & DRIVING GEAR



1,1,,119813-21000,, "CRANKSHAFT ASSY",1,,,,,,,,,,,,,
2,2,,129100-01580,, "PARALLEL PIN 8X16",1,,,,,,,,,,,,,
4,2,,129150-21200,, "GEAR, CRANKSHAFT",1,,,,,,,,,,,,,
5,2,,22512-070140,, "KEY 7X 14",1,,,,,,,,,,,,,
7,1,,22351-040010,, "SPRING PIN 4X10",1,,,,,,,,,,,,,
8,1,,171301-21650,, "V-PULLEY, CRANKSHAFT",1,,,,,,,,,,,,,
9,1,,129795-21661,, "WASHER",1,,,,,,,,,,,,,
10,1,,121850-21680,, "BOLT, V-PULLEY",1,,,,,,,,,,,,,
11,1,,121111-21501,, "BOLT, FLYWHEEL",6,,,,,,,,,,,,,
12,1,,171325-21590,, "FLYWHEEL W/GEAR",1,,,,,,,,,,,,,
14,2,,119865-21600,, "GEAR, RING",1,,,,,,,,,,,,,
15,1,,119813-22080,, "PISTON ASSY",3,,,,,,,,,,,,,
17,2,,119813-22500,, "RING SET, PISTON",3,,,,,,,,,,,,,
21,1,,119813-22300,, "PIN, PISTON",3,,,,,,,,,,,,,
22,1,,129792-22400,, "CIRCLIP 23",6,,,,,,,,,,,,,
23,1,,719810-23100,, "ROD ASSY, CONNECTING",3,,,,,,,,,,,,,
26,2,,119810-23200,, "BOLT, CONNECTING ROD",6,,,,,,,,,,,,,
27,2,,119810-23600,, "BEARING, CRANKPIN",3,,,,,,,,,,,,,
29,1,,119813-22900,, "PISTON W/RING OS=.25",3,,,,,,,,,1,,,,,,,,,
31,2,,129003-22950,, "RING SET O.S=0.25",3,,,,,,,,,1,,,,,,,,,
35,1,,119810-23610,, "BEARING, PIN U.S=0.25",3,,,,,,,,,2,,,,,,,,,
37,1,,119810-23910,, "BUSH, PISTON PIN",3,,,,,,,,,3,,,,,,,,,

Silverhorn.CO.UK

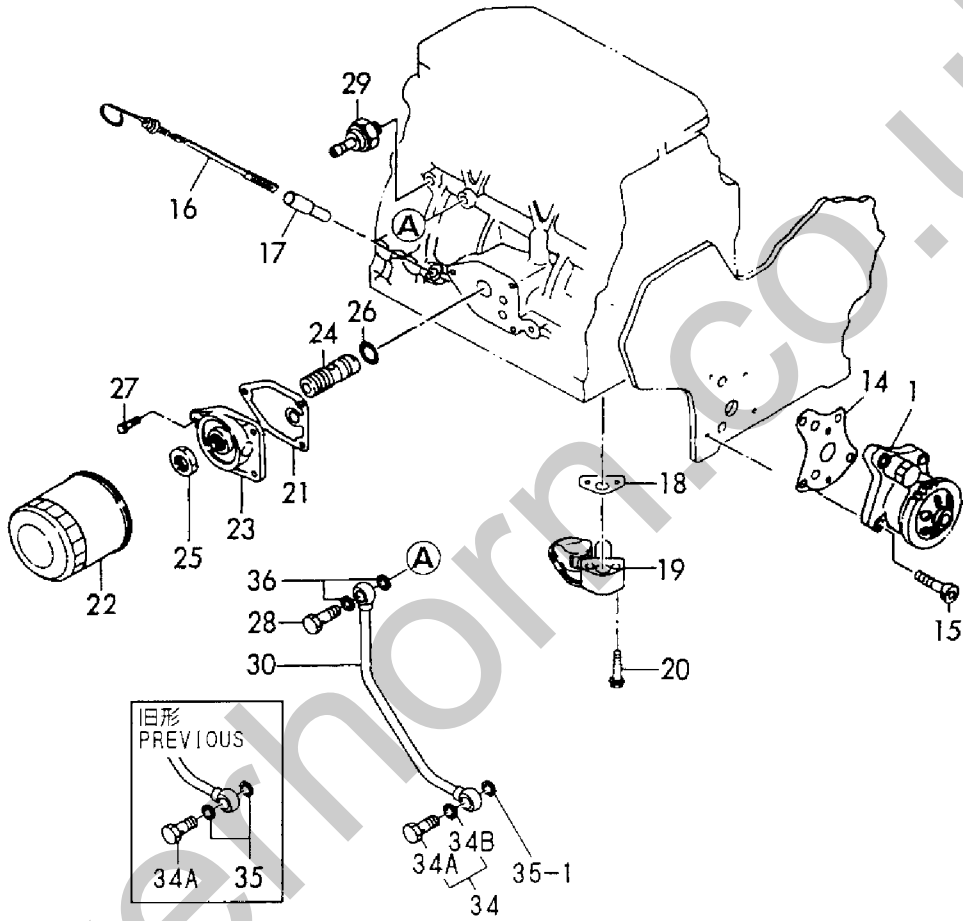
Fig. 7 クランクシャフト&ピストン
CRANKSHAFT & PISTON



1,1,,129001-32001,, "PUMP ASSY, LUB. OIL",1,,,,,,,,,,,,,
14,1,,129150-32020,, "GASKET, L.O. PUMP",1,,,,,,,,,A,,,,,,,,,
15,1,,26450-060252,, "BOLT M 6X 25",4,,,,,,,,,,,,,
16,1,,119640-34800,, DIPSTIC,1,,,,,,,,,,,,,
17,1,,121520-34810,, "GUIDE, DIPSTICK",1,,,,,,,,,,,,,
18,1,,129150-35041,, "GASKET, (NON-ASB.)",1,,,,,,,,,A,,,,,,,,,
19,1,,119810-35401,, "PIPE ASSY, OIL INLET",1,,,,,,,,,,,,,
20,1,,26106-080352,, "BOLT M 8X 35 PLATED",2,,,,,,,,,,,,,
21,1,,129150-35111,, "GASKET, (NON-ASB.)",1,,,,,,,,,A,,,,,,,,,
22,1,,129150-35151,, "FILTER 80X80L",1,,,,,,,,,,,,,
23,1,,129150-35101,, "BRACKET, STRAINER",1,,,,,,,,,,,,,
24,1,,129001-35300,, "BOLT,LUB.O. STRAINER",1,,,,,,,,,,,,,
25,1,,129150-35350,, NUT,1,,,,,,,,,,,,,
26,1,,24311-000160,, "O-RING 1A P-16.0",1,,,,,,,,,,,,,
27,1,,26106-080202,, "BOLT M 8X 20 PLATED",3,,,,,,,,,,,,,
28,1,,124160-39140,, "BOLT 10, PIPE JOINT",1,,,,,,,,,,,,,
29,1,,124160-39450,, "SWITCH, OIL PRESSURE",1,,,,,,,,,,,,,
30,1,,119810-39200,, "PIPE ASSY, LUB. OIL",1,,,,,,,,,,,,,
34,1,,124550-59830,, "BOLT W/ SEAL WASHER",1,,,,,,,,,W,,E/#48153,,,,,,,,,
34A,2,,124550-59820,, "BOLT 8, PIPE JOINT",1,,,,,,,,,,,,,
34B,2,,22190-080002,, "SEAL WASHER 8S",1,,,,,,,,,W,,E/#48153,,,,,,,,,
35,1,,22190-080002,, "SEAL WASHER 8S",2,,,,,,,,,,,,,
35-1,1,,22190-080002,, "SEAL WASHER 8S",1,,,,,,,,,K,,E/#48153,,,,,,,,,
36,1,,23414-100000,, "GASKET 10, ROUND",2,,,,,,,,,,,,,



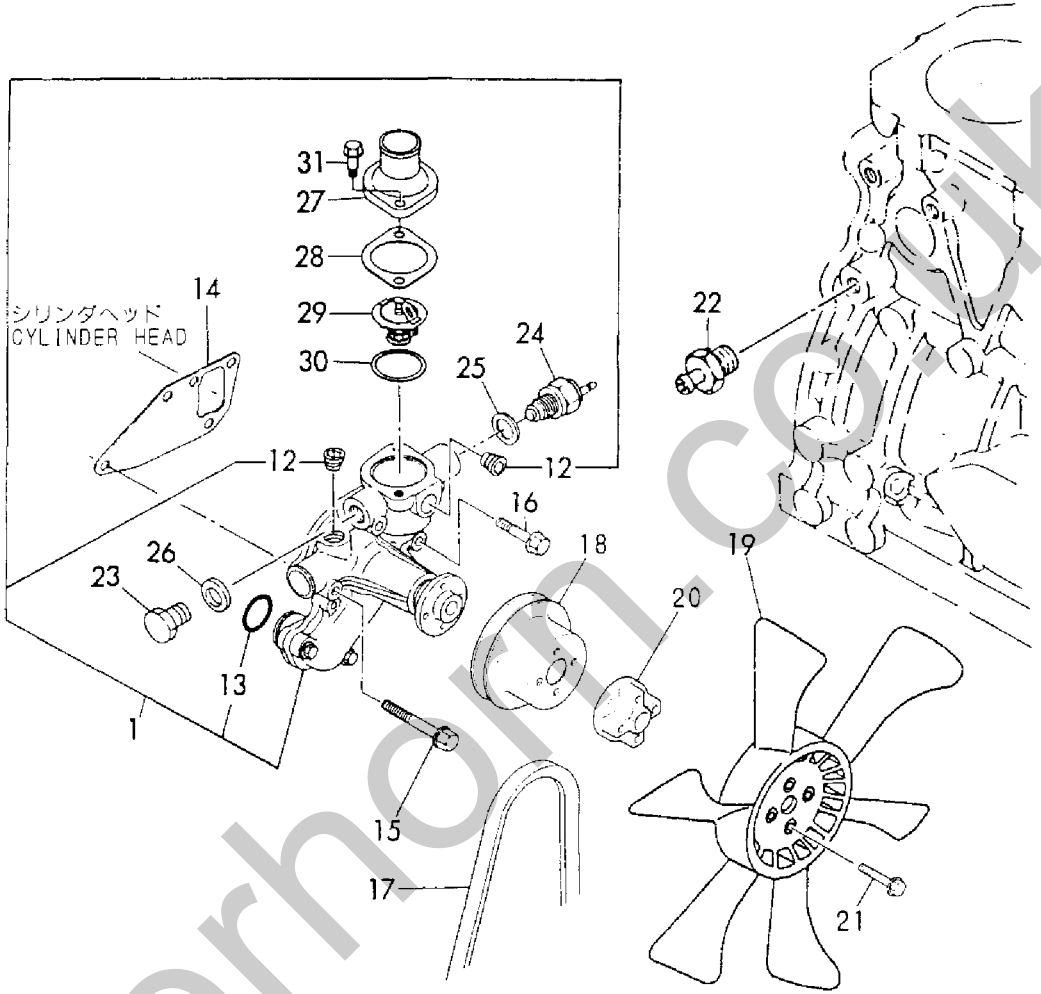
Fig. 8 潤滑油システム
LUB. OIL SYSTEM



1,1,,119810-42001,, "PUMP,C.W.(NON-ASB.)",1,,,,,,,,,,,,,
12,2,,23871-030000,, "PLUG PT3/8,SCREW",2,,,,,,,,,,,,,
13,2,,129150-42320,, O-RING,1,,,,,,,,,,,,,
14,1,,129150-42020,, "GASKET, C.W. PUMP",1,,,,,,A,,,,,
15,1,,26106-080552,, "BOLT M 8X 55 PLATED",3,,,,,,,,,,,,,
16,1,,26106-080352,, "BOLT M 8X 35 PLATED",1,,,,,,,,,,,,,
17,1,,25132-003800,, "V-BELT (A-38)",1,,,,,,,,,,,,,
18,1,,129556-42350,, V-PULLEY,1,,,,,,,,,,,,,
19,1,,119831-44740,, "FAN, COOLING",1,,,,,,,,,,,,,
20,1,,171353-44760,, SPACER,1,,,,,,,,,,,,,
21,1,,26106-060352,, "BOLT M 6X 35 PLATED",4,,,,,,,,,,,,,
22,1,,121550-49111,, "JOINT PT1/4",1,,,,,,,,,,,,,
23,1,,121450-42450,, "PLUG M16",1,,,,,,,,,,,,,
24,1,,121250-44901,, "SWITCH, THERMO(110^oC)",1,,,,,,,,,,,,,
25,1,,124465-44950,, "GASKET 16",1,,,,,,A,,,,,
26,1,,124465-44950,, "GASKET 16",1,,,,,,A,,,,,
27,1,,129350-49530,, "COVER, THERMOSTAT",1,,,,,,,,,,,,,
28,1,,129795-49551,, "GASKET, (NON-ASB.)",1,,,,,,A,,,,,
29,1,,129155-49800,, THERMOSTAT,1,,,,,,,,,,,,,
30,1,,129150-49811,, "GASKET, (NON-ASB.)",1,,,,,,A,,,,,
31,1,,26106-080202,, "BOLT M 8X 20 PLATED",2,,,,,,,,,,,,,
31-1,1,,26106-080222,, "BOLT M 8X 22 PLATED",2,,,,,,N,,EXXX,,,,,

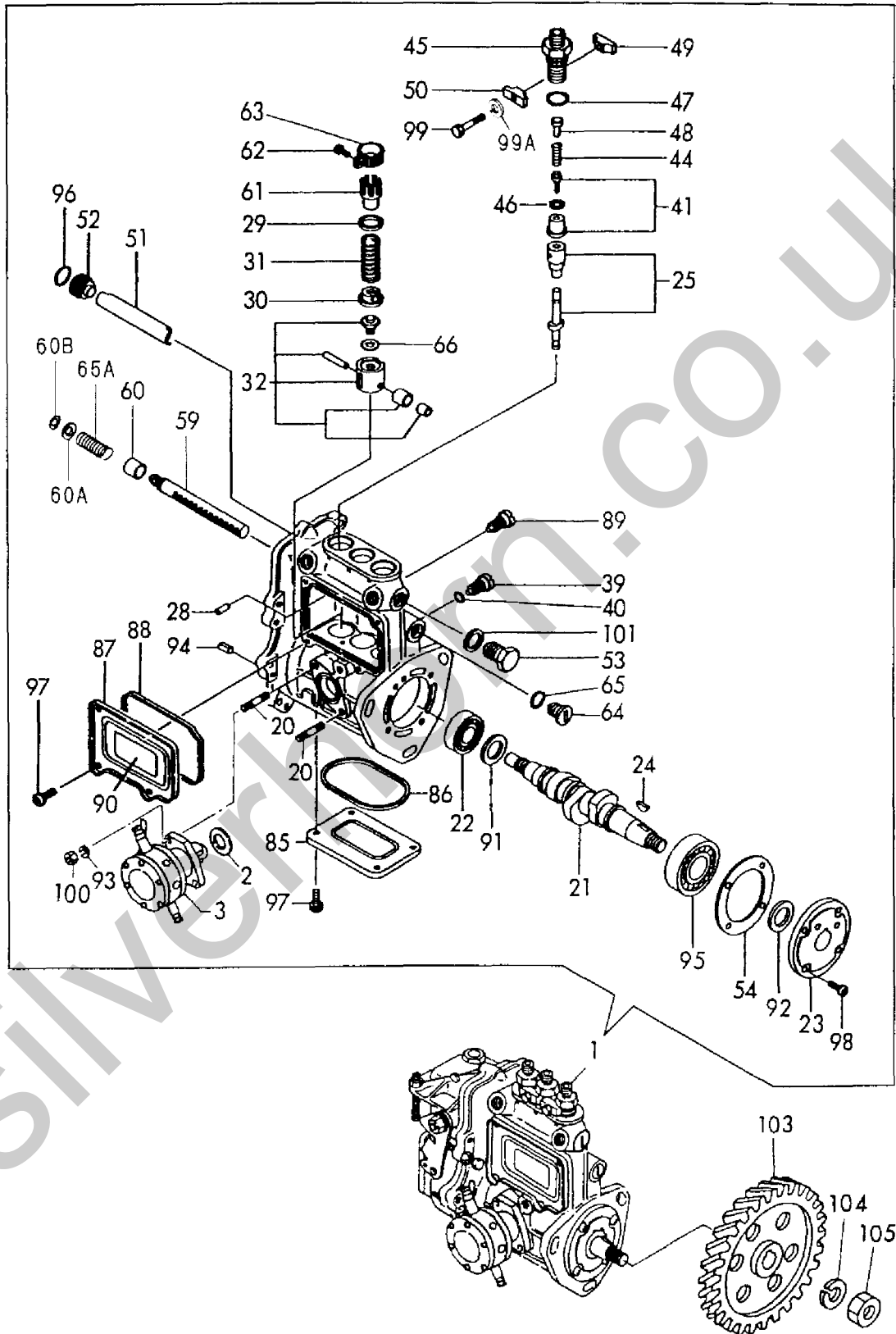


Fig. 9 冷却水システム
COOLING WATER SYSTEM



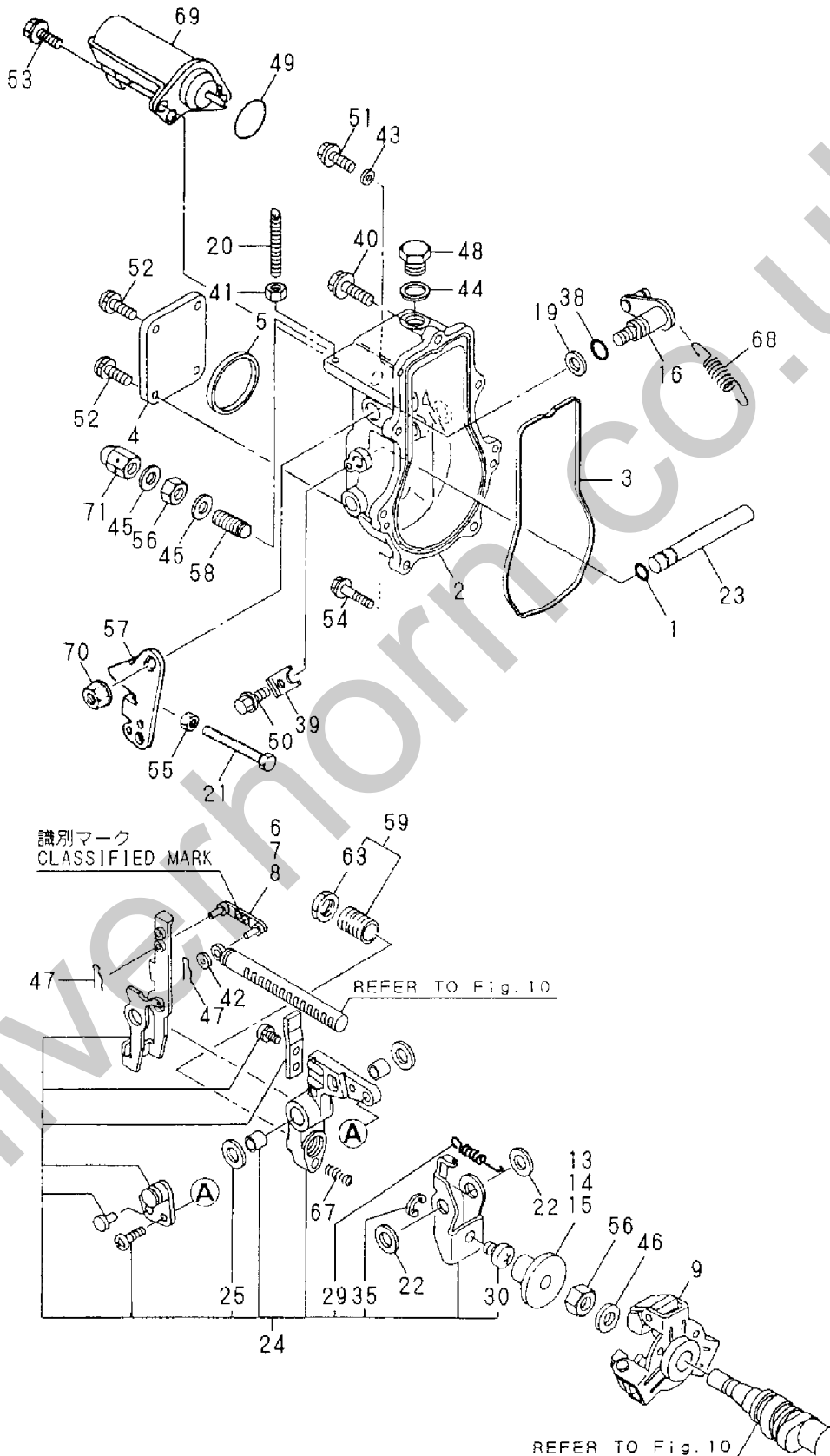
1,1,,719813-51380,, "PUMP ASSY, F.I.PUMP",1,,,,,1,,,,,
2,2,,129155-52050,, GASKET,1,,,,,
3,2,,129100-52100,, "PUMP ASSY, FUEL FEED",1,,,,,
20,2,,129155-51020,, "STUD, FEED PUMP",2,,,,,
21,2,,119810-51040,, CAMSHAFT,1,,,,,
22,2,,129155-51050,, "BALL BEARING, THRUST",1,,,,,
23,2,,129155-51060,, "CAM SHAFT SUPPORT",1,,,,,
24,2,,122710-51090,, KEY,1,,,,,
25,2,,129108-51100,, "PLUNGER W/BARREL",3,,,,,
28,2,,129155-51140,, "PIN, BARREL LOCKING",3,,,,,
29,2,,174307-51170,, "RETAINER A",3,,,,,
30,2,,129155-51180,, "SPRING SHOE, PLUNGER",3,,,,,
31,2,,124950-51190,, "SPRING, PLUNGER",3,,,,,
32,2,,129155-51200,, "TAPPET ASSY",3,,,,,
39,2,,129155-51270,, "LOCKING, TAPPET",3,,,,,
40,2,,129155-51280,, "O-RING S6",3,,,,,
41,2,,129505-51300,, "VALVE W/SEAT, DELIV.",3,,,,,
44,2,,129155-51320,, "SPRING, DELIV. VALVE",3,,,,,
45,2,,129155-51340,, "GUARD, DELIVERY VALVE",3,,,,,
46,2,,124550-51350,, "GASKET, DELIVERY",3,,,,,
47,2,,124550-51370,, "O-RING, DELIVERY",3,,,,,
48,2,,129155-51370,, "STOPPER, VALVE",3,,,,,
49,2,,129155-51380,, "LOCKING (A)",2,,,,,
50,2,,129155-51390,, "LOCKING (B)",2,,,,,
51,2,,129155-51400,, DEFLECTOR,1,,,,,
52,2,,129155-51410,, "CHECK BOLT, DEFLECTOR",1,,,,,
53,2,,129155-51420,, "PLUG (M16)",1,,,,,
54,2,,129155-51450,, "SHIM SET, ADJUSTING",1,,,,,
59,2,,129155-51500,, "RACK, CONTROL",1,,,,,
60,2,,129155-51521,, "BUSH, RACK",1,,,,,
60A,2,,129155-51530,, "SPACER, AUX. SPRING",1,,,,,W,, "FROM 1ST",,,,,,
60B,2,,129155-51540,, "CIRCLIP",1,,,,,W,, "FROM 1ST",,,,,,
61,2,,129155-51550,, "PINION, CONTROL",3,,,,,
62,2,,122117-51560,, "SCREW, PINION",3,,,,,
63,2,,174307-51560,, PINION,3,,,,,
64,2,,129155-51570,, "PLUG (M12)",1,,,,,
65,2,,129155-51580,, O-RING,1,,,,,
65A,2,,129155-51591,, "SPRING, RACK",1,,,,,W,, "FROM 1ST",,,,,,
66,2,,129155-51600,, "SHIM PACK",3,,,,,
85,2,,129155-51700,, "COVER, LOWER",1,,,,,
86,2,,129155-51710,, "GASKET, LOWER COVER",1,,,,,
87,2,,129155-51750,, "COVER, SIDE",1,,,,,
88,2,,129155-51760,, "GASKET, SIDE COVER",1,,,,,
89,2,,129155-51790,, "LOCKING, RACK",1,,,,,
90,2,,129156-51910,, "LABEL, CAUTION",1,,,,,
91,2,,129155-51930,, "SPACER T=3.25",1,,,,,
92,2,,129155-51940,, "SPACER T=1.5",1,,,,,
93,2,,22217-060000,, "SPRING WASHER 6",2,,,,,
94,2,,22351-050010,, "SPRING PIN 5X10",2,,,,,
95,2,,24101-063034,, "BALL BEARING",1,,,,,
96,2,,24341-000160,, "O-RING 1A S-16.0",1,,,,,
97,2,,26022-050102,, "SCREW M 5X 10",8,,,,,
98,2,,26022-060162,, "SCREW M 6X 16",4,,,,,
99,2,,26116-050302,, "BOLT M 5X 30 PLATED",2,,,,,
99A,2,,22217-050000,, "SPRING WASHER 5",2,,,,,W,, EXXX,,,,,
100,2,,26716-060002,, "NUT 6",2,,,,,
101,2,,22190-160002,, "SEAL WASHER 16S",1,,,,,
103,1,,129150-25900,, "GEAR, FUEL INJ. PUMP",1,,,,,
104,1,,22217-120000,, "SPRING WASHER",1,,,,,
105,1,,26716-120002,, "NUT 12",1,,,,,

Fig. 10 燃料噴射ポンプ FUEL INJECTION PUMP



1,2,,129155-51280,, "O-RING S6",1,,,,,,,,,,,,,
2,2,,129052-61010,, "CASE, GOVERNOR",1,,,,,,,,,,,,,
3,2,,129052-61050,, "PACKING",1,,,,,,,,,,,,,
4,2,,129052-61060,, "COVER",1,,,,,,,,,,,,,
5,2,,129052-61070,, "PACKING",1,,,,,,,,,,,,,
6,2,,129155-61120,, "LINK L=30(MARK 0",1,,,,,,,,,1,,,,,
7,2,,129155-61130,, "LINK L=31(MARK 1",1,,,,,,,,,1,,,,,
8,2,,129155-61140,, "LINK L=30.5(MARK 05)",1,,,,,,,,,1,,,,,
9,2,,129155-61201,, "WEIGHT ASSY, GOV.",1,,,,,,,,,,,,,
13,2,,129155-61341,, "SLEEVE",1,,,,,,,,,2,,,,,
14,2,,129155-61350,, "SLEEVE",1,,,,,,,,,2,,,,,
15,2,,129155-61360,, "SLEEVE",1,,,,,,,,,2,,,,,
16,2,,129100-61400,, "SHAFT ASSY, CONTROL",1,,,,,,,,,,,,,
19,2,,129155-61430,, "SPACER, SHAFT",1,,,,,,,,,,,,,
20,2,,129155-61450,, "BOLT, REVOL. LIMIT",1,,,,,,,,,,,,,
21,2,,129155-61460,, "BOLT, IDLE LIMIT",1,,,,,,,,,,,,,
22,2,,129155-61480,, "SPACER ASSY",2,,,,,,,,,,,,,
23,2,,129052-61390,, "SHAFT, GOV. LEVER",1,,,,,,,,,,,,,
24,2,,129052-61500,, "LEVER ASSY,GOVERNOR",1,,,,,,,,,,,,,
25,3,,174307-51700,, "SHIM SET",2,,,,,,,,,,,,,
29,3,,129052-61540,, "SPRING",1,,,,,,,,,,,,,
30,3,,129155-61540,, "SHIFTER",1,,,,,,,,,,,,,
35,3,,22272-000040,, "CIRCLIP E- 4",1,,,,,,,,,,,,,
38,2,,129155-61830,, "O-RING S10",1,,,,,,,,,,,,,
39,2,,119660-61901,, "RETAINER, SHAFT",1,,,,,,,,,,,,,
40,2,,129155-61950,, "BOLT, WASHER BASED",1,,,,,,,,,,,,,
41,2,,124550-66370,, "LOCK NUT M 6",1,,,,,,,,,,,,,
42,2,,22117-040000,, "WASHER 4",1,,,,,,,,,,,,,
43,2,,22190-060002,, "SEAL WASHER 6S",1,,,,,,,,,,,,,
43-1,2,,22190-060003,, "SEAL WASHER 6S",1,,,,,R,,E/#45942,,,,,
44,2,,22190-100002,, "SEAL WASHER 10S",1,,,,,,,,,,,,,
45,2,,22190-120002,, "SEAL WASHER 12",2,,,,,,,,,,,,,
46,2,,22287-120000,, "WASHER 12",1,,,,,,,,,,,,,
47,2,,22372-040000,, "SNAP PIN 4",2,,,,,,,,,,,,,
48,2,,23887-100002,, "PLUG 10",1,,,,,,,,,,,,,
49,2,,24341-000280,, "O-RING 1A S-28.0",1,,,,,,,,,,,,,
50,2,,26106-060102,, "BOLT M 6X 10 PLATED",1,,,,,,,,,,,,,
51,2,,26106-060102,, "BOLT M 6X 10 PLATED",1,,,,,,,,,,,,,
52,2,,26106-060102,, "BOLT M 6X 10 PLATED",4,,,,,,,,,,,,,
53,2,,26106-060142,, "BOLT M 6X 14 PLATED",2,,,,,,,,,,,,,
54,2,,26106-060202,, "BOLT M 6X 20 PLATED",6,,,,,,,,,,,,,
55,2,,26756-060002,, "LOCK NUT 6",1,,,,,,,,,,,,,
56,2,,26776-120002,, "LOCK NUT M12 PLATED",2,,,,,,,,,,,,,
57,1,,129100-61440,, "LEVER, CONTROL",1,,,,,,,,,,,,,
58,1,,129155-61470,, "BOLT, FUEL CONTROL",1,,,,,,,,,,,,,
59,1,,171353-61550,, "ANGLEICH ASSY",1,,,,,,,,,,,,,
63,2,,129155-61590,, "NUT",1,,,,,,,,,,,,,
67,1,,129100-61650,, "SPRING, FUEL CONTROL",1,,,,,,,,,,,,,
68,1,,171353-61710,, "SPRING, GOVERNOR",1,,,,,,,,,,,,,
68-1,1,,129489-61700,, "SPRING, GOVERNOR",1,,,,,N,,E/#41254,,,,,
69,1,,119233-77951,, "SOLENOID",1,,,,,,,,,,,,,
70,1,,26366-080002,, "NUT M 8",1,,,,,,,,,,,,,
71,1,,26687-120002,, "CAP NUT M12",1,,,,,,,,,,,,,

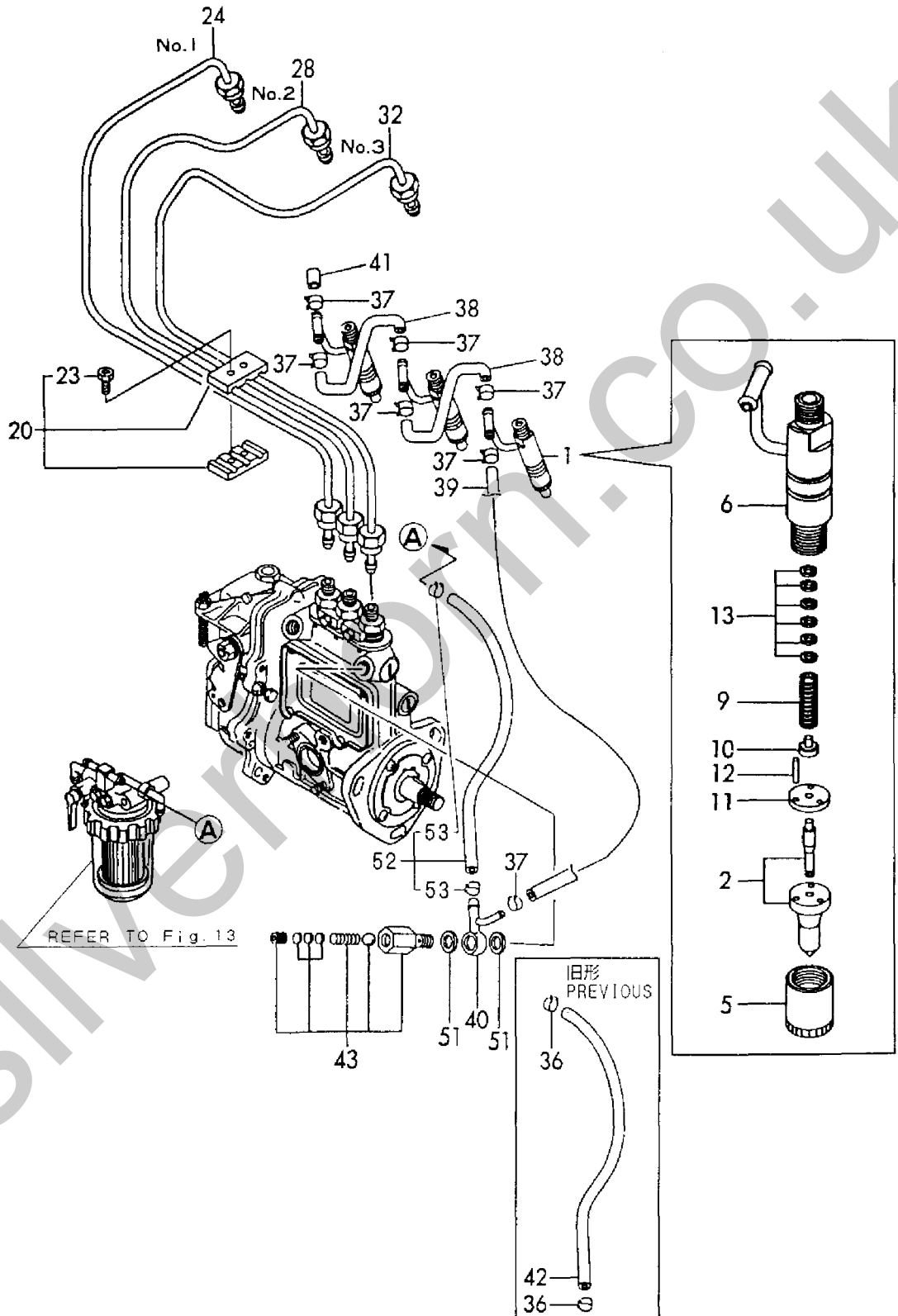
Fig. 11 ガバナ GOVERNOR



1,1,,729500-53200,, "VALVE ASSY, F.INJECT",1,,,,,,,,,,,,,
2,2,,129500-53050,, "NOZZLE ASSY,F.INJECT",3,,,,,,,,,,,,,
5,2,,114250-53080,, "NUT, NOZZLE CASE",3,,,,,,,,,,,,,
6,2,,129100-53100,, "HOLDER ASSY, NOZZLE",3,,,,,,,,,,,,,
9,2,,114250-53120,, "SPRING, NOZZLE",3,,,,,,,,,,,,,
10,2,,114250-53130,, "SEAT, NOZZLE SPRING",3,,,,,,,,,,,,,
11,2,,114250-53140,, "PLATE, STOP",3,,,,,,,,,,,,,
12,2,,114250-53210,, PIN,6,,,,,,,,,,,,,
13,2,,114250-53400,, "SHIM PACK",3,,,,,,,,,,,,,
20,1,,129150-59120,, "RETAINER, INJ. PIPE",1,,,,,,,,,,,,,
23,2,,129150-59131,, "BOLT M4X14,HEX.SCKT.",2,,,,,,,,,,,,,
24,1,,119810-59810,, "PIPE, FUEL INJECTION",1,,,,,,,,,,,,,
28,1,,119810-59820,, "PIPE, FUEL INJECTION",1,,,,,,,,,,,,,
32,1,,119810-59830,, "PIPE, FUEL INJECTION",1,,,,,,,,,,,,,
36,1,,124766-59050,, "CLAMP 12",2,,,,,,Z,,E/#45237,,,,,
37,1,,124066-59100,, "CLAMP 8",7,,,,,,,,,,,,,
38,1,,121250-59550,, "PIPE, FUEL",2,,,,,,,,,,,,,
39,1,,119840-59560,, "PIPE, FUEL RETURN",1,,,,,,,,,,,,,
40,1,,119840-59570,, JOINT,1,,,,,,,,,,,,,
41,1,,129150-59580,, CAP,1,,,,,,,,,,,,,
42,1,,105025-59750,, "PIPE, FUEL OIL",1,,,,,,Z,,E/#45237,,,,,
43,1,,129100-59951,, "VALVE ASSY, CHECK",1,,,,,,,,,,,,,
51,1,,23414-120000,, "GASKET 12, ROUND",2,,,,,,,,,,,,,
52,1,,129210-59130,, "PIPE ASSY, FUEL OIL",1,,,,,,W,,E/#45237,,,,,
53,2,,124766-59050,, "CLAMP 12",2,,,,,,W,,E/#45237,,,,,



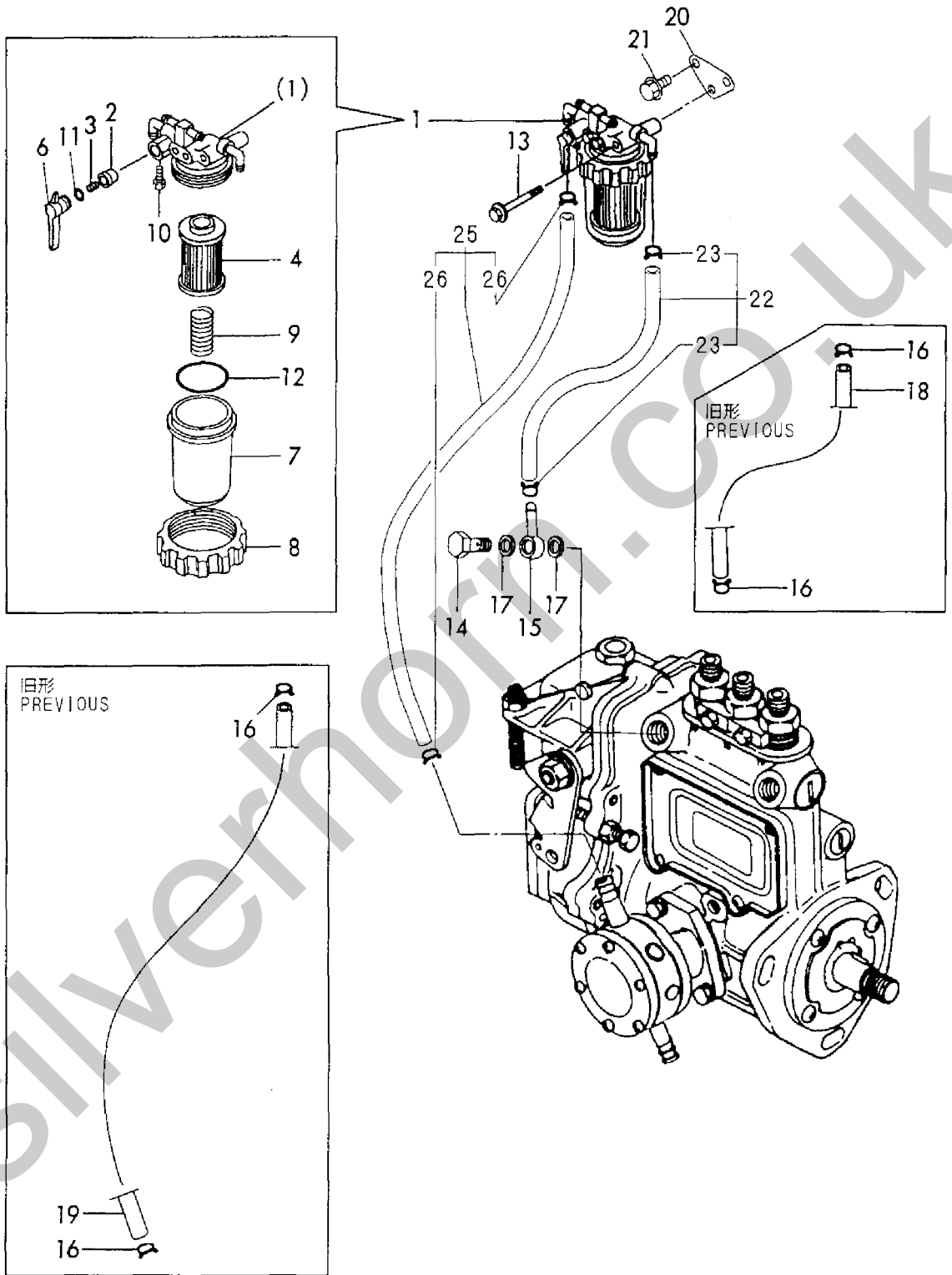
Fig. 12 燃料噴射パイプ FUEL INJECTION PIPE



1,1,,119833-55620,, "STRAINER ASSY, FUEL",1,,,,,,,,,,,,,
2,2,,104200-55321,, "VALVE, TAPER",1,,,,,,,,,,,,,
3,2,,104200-55330,, "SPRING, TAPER VALVE",1,,,,,,,,,,,,,
4,2,,119810-55650,, ELEMENT,1,,,,,,,,,,,,,
6,2,,119810-55340,, LEVER,1,,,,,,,,,,,,,
7,2,,121254-55510,, "CUP, STRAINER",1,,,,,,,,,,,,,
8,2,,110250-55610,, "RING, RETAINING",1,,,,,,,,,,,,,
9,2,,121250-55620,, SPRING,1,,,,,,,,,,,,,
10,2,,104200-55750,, "SCREW M 4",1,,,,,,,,,,,,,
11,2,,24311-240100,, "O-RING 1A P-10A",1,,,,,,,,,,,,,
12,2,,102103-55520,, O-RING,1,,,,,,,,,A,,,,,,,,,
13,1,,26106-080652,, "BOLT M 8X 65 PLATED",1,,,,,,,,,,,,,
14,1,,103854-39140,, "BOLT, PIPE JOINT",1,,,,,,,,,,,,,
15,1,,101304-59020,, "JOINT 12, PIPE",1,,,,,,,,,,,,,
16,1,,124766-59050,, "CLAMP 12",4,,,,,,,,,Z,,E/#45237,,,,,
17,1,,22190-120002,, "SEAL WASHER 12",2,,,,,,,,,,,,,
18,1,,129555-59510,, "PIPE, FUEL",1,,,,,,,,,Z,,E/#45237,,,,,
19,1,,105025-59750,, "PIPE, FUEL OIL",1,,,,,,,,,Z,,E/#45237,,,,,
20,1,,119833-55690,, BRACKET,1,,,,,,,,,,,,,
21,1,,26106-080142,, "BOLT M 8X 14 PLATED",2,,,,,,,,,,,,,
22,1,,129210-59020,, "PIPE ASSY, FUEL OIL",1,,,,,,,,,W,,E/#45237,,,,,
23,2,,124766-59050,, "CLAMP 12",2,,,,,,,,,W,,E/#45237,,,,,
25,1,,129210-59130,, "PIPE ASSY, FUEL OIL",1,,,,,,,,,W,,E/#45237,,,,,
26,2,,124766-59050,, "CLAMP 12",2,,,,,,,,,W,,E/#45237,,,,,



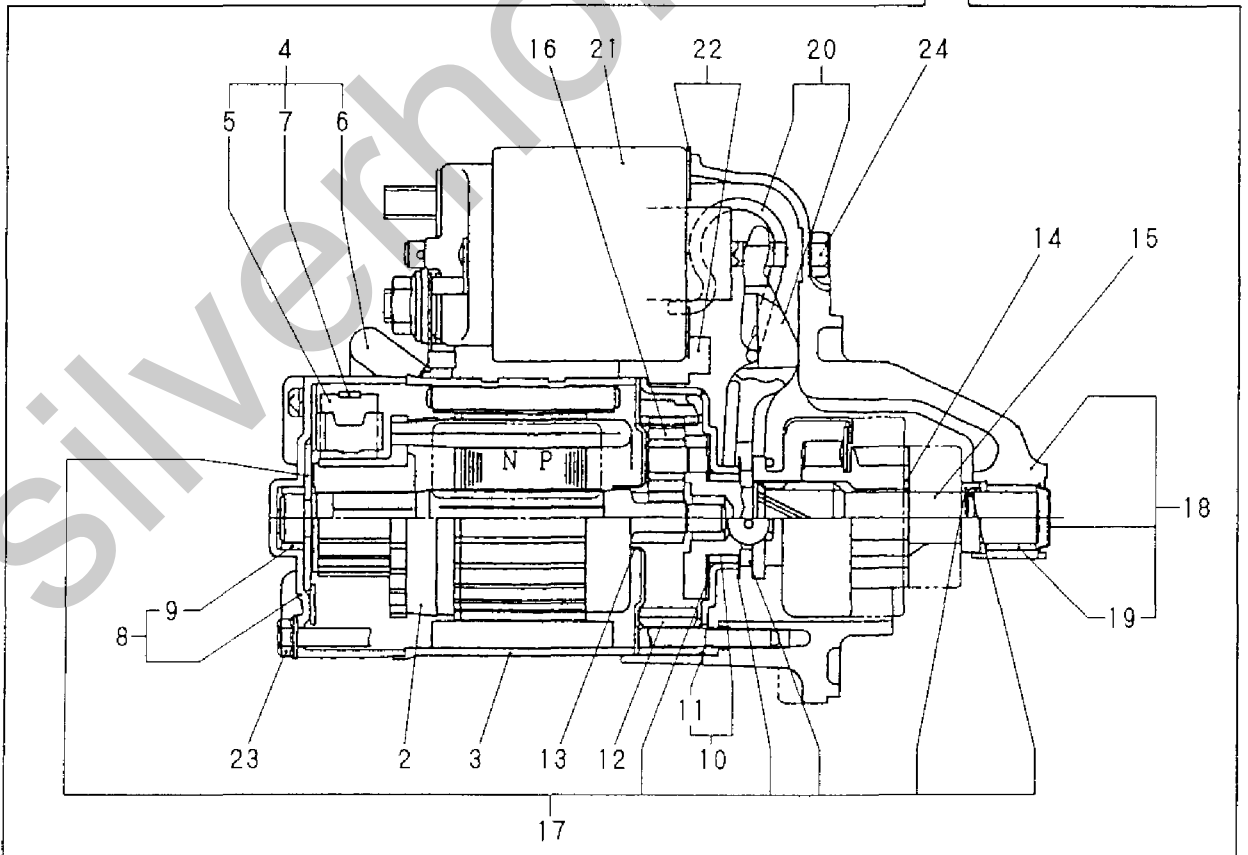
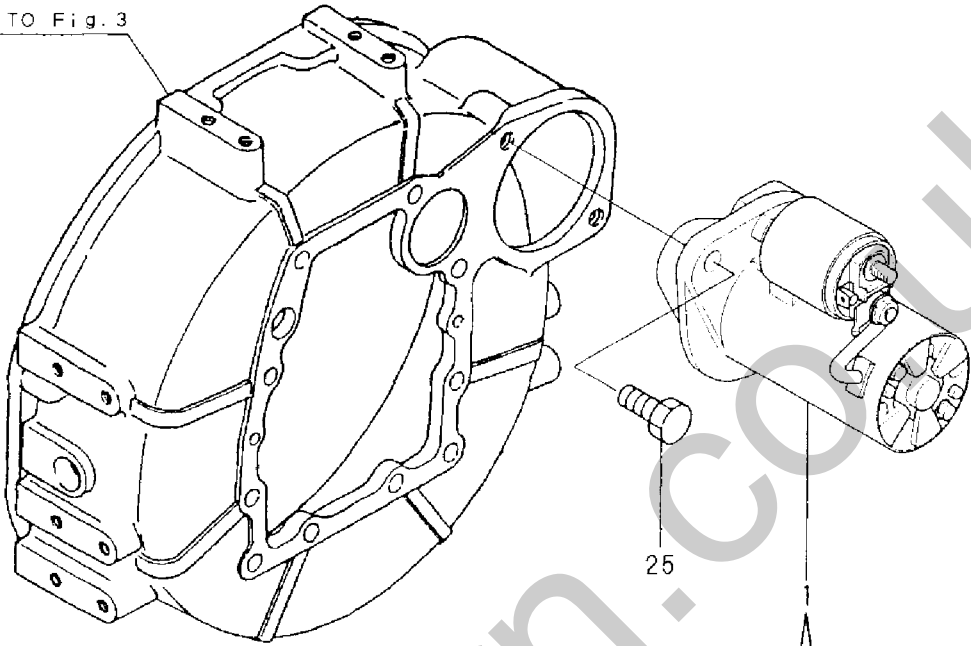
Fig. 13 燃料パイプ FUEL PIPE



1,1,,129698-77010,,STARTER,1,,,,,,,,,,,,,
2,2,,X211421111,,,"ARMATURE ASSY",1,,,,,,,,,,,,,
2-1,2,,129698-77100,,,"ARMATURE ASSY",1,,,,,,N,,,,E/#42002,,,,,,
3,2,,X211482100,,,"YOKE ASSY",1,,,,,,,,,,,,,
3-1,2,,129698-77110,,,"COIL ASSY, FIELD",1,,,,,,N,,,,E/#42002,,,,,,
4,2,,X211423106,,,"BRUSH HOLDER ASSY",1,,,,,,,,,,,,,
4-1,2,,129698-77120,,,"HOLDER ASSY,BRUSH",1,,,,,,N,,,,E/#42002,,,,,,
5,3,,X211443127,,BRUSH(-),2,,,,,,,,,,,,,
5-1,3,,129698-77130,,,"BRUSH (-)",2,,,,,,N,,,,E/#42002,,,,,,
6,3,,X211433127,,,"BRUSH(+) SET",1,,,,,,,,,,,,,
6-1,3,,129698-77140,,,"BRUSH(+) SET",1,,,,,,N,,,,E/#42002,,,,,,
7,3,,X21146317,,,"BRUSH SPRING",4,,,,,,,,,,,,,
7-1,3,,129698-77150,,,"SPRING, BRUSH",4,,,,,,N,,,,E/#42002,,,,,,
8,2,,X211433502,,,"REAR COVER ASSY",1,,,,,,,,,,,,,
8-1,2,,129698-77160,,,"COVER ASSY, REAR",1,,,,,,N,,,,E/#42002,,,,,,
9,3,,X21141353,,,"REAR COVER METAL",1,,,,,,,,,,,,,
9-1,3,,129698-77170,,,"REAR COVER METAL",1,,,,,,N,,,,E/#42002,,,,,,
10,2,,X211454102,,,"CENTER BRACKET(P)",1,,,,,,,,,,,,,
10-1,2,,129698-77180,,BRACKET,1,,,,,,N,,,,E/#42002,,,,,,
11,3,,X211444101,,,"BRACKET(P) METAL",1,,,,,,,,,,,,,
11-1,3,,129698-77190,,BRACKET,1,,,,,,N,,,,E/#42002,,,,,,
12,2,,X211488100,,,"INTERNAL GEAR",1,,,,,,,,,,,,,
12-1,2,,129698-77200,,,"INTERNAL GEAR",1,,,,,,N,,,,E/#42002,,,,,,
13,2,,X211464102,,,"CENTER BRACKET(A)",1,,,,,,,,,,,,,
13-1,2,,129698-77210,,BRACKET,1,,,,,,N,,,,E/#42002,,,,,,
14,2,,X211425554,,,"PISTON ASSY",1,,,,,,,,,,,,,
14-1,2,,129698-77220,,,"PINION ASSY",1,,,,,,N,,,,E/#42002,,,,,,
15,2,,X211475562,,,"PISTON SHAFT",1,,,,,,,,,,,,,
15-1,2,,129698-77230,,SHAFT(PINION,1,,,,,,N,,,,E/#42002,,,,,,
16,2,,X211498100,,,"PLANET GEAR",3,,,,,,,,,,,,,
16-1,2,,129698-77240,,GEAR,3,,,,,,N,,,,E/#42002,,,,,,
17,2,,X211439505,,,"WASHER STOPPER SET",1,,,,,,,,,,,,,
17-1,2,,129698-77250,,,"WASHER SET",1,,,,,,N,,,,E/#42002,,,,,,
18,2,,X211486500,,,"GEAR CASE ASSY",1,,,,,,,,,,,,,
18-1,2,,129698-77260,,,"HOUSING ASSY, GEARS",1,,,,,,N,,,,E/#42002,,,,,,
19,3,,X2114535200,,,"METAL, STARTER",1,,,,,,,,,,,,,
20,2,,X211476015,,,"SHIFT LEVER SET",1,,,,,,,,,,,,,
20-1,2,,129698-77270,,,"LEVER, SHIFT",1,,,,,,N,,,,E/#42002,,,,,,
21,2,,124298-77020,,,"SWITCH, MAGNET",1,,,,,,,,,,,,,
21-1,2,,129698-77020,,,"MAGNETIC SWITCH ASSY",1,,,,,,R,,,,E/#46614,,,,,,
22,2,,X211488504,,,"DUST COVER KIT",1,,,,,,,,,,,,,
22-1,2,,129698-77280,,,"COVER ASSY, DUST",1,,,,,,N,,,,E/#42002,,,,,,
23,2,,124195-77770,,,"THROUGH BOLT",2,,,,,,,,,,,,,
24,2,,X21147867,,,"BOLT M6X 37",2,,,,,,,,,,,,,
25,1,,26116-120252,,,"BOLT M12X 25 PLATED",2,,,,,,,,,,,,,

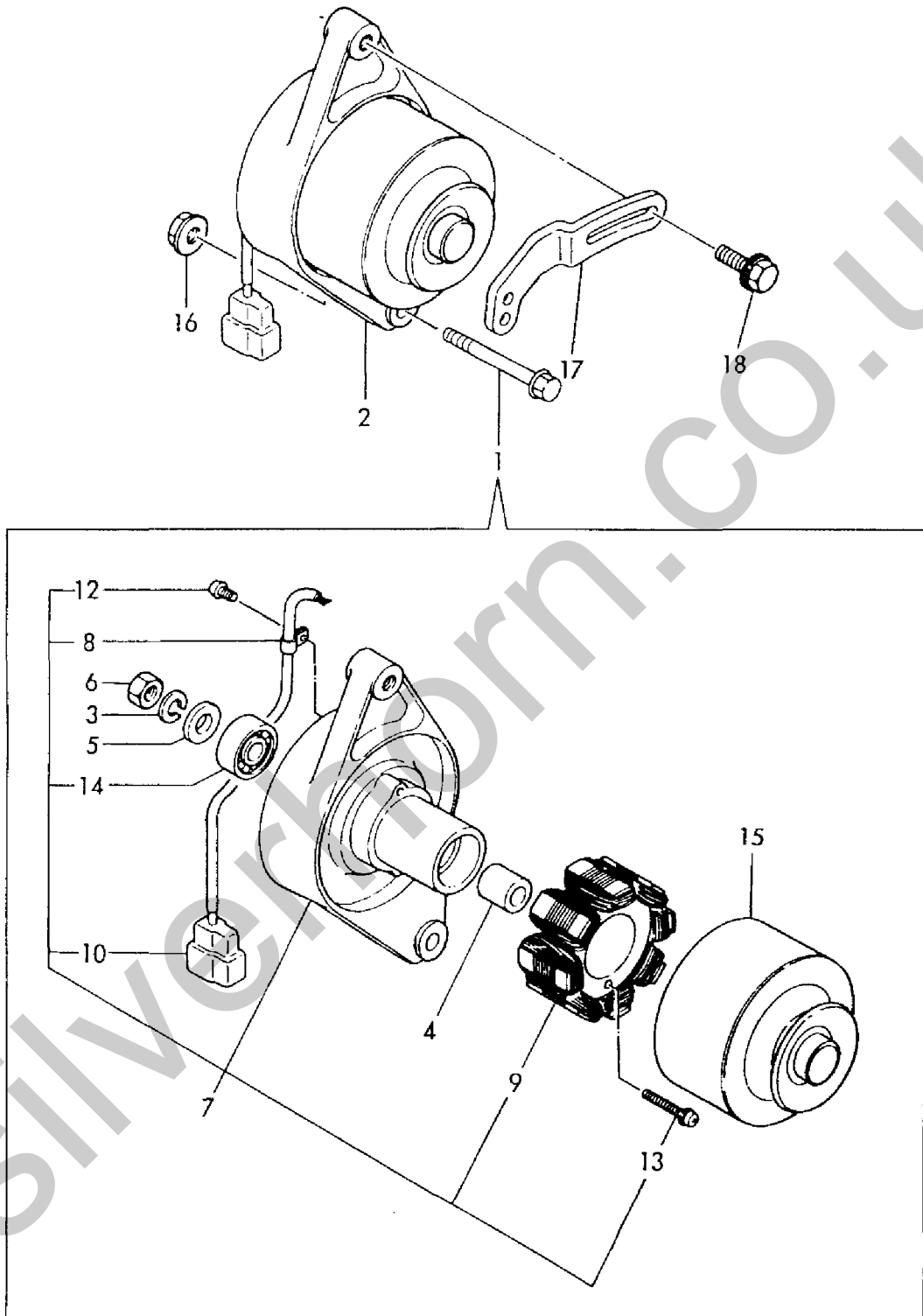
Fig. 14 スタートイングモータ
STARTING MOTOR

REFER TO Fig. 3



1,1,,119833-77251,, "BOLT 8X 70",1,,,,,,,,,,,,,,,,,,,,,
1-1,1,,119833-77252,, BOLT,1,,,,,,N,,,E/#43600,,,,,,
2,1,,129150-77202,, GENERATOR,1,,,,,,,,,,,,,,,,,,,,,
3,2,,XM219230000,, "WASHER, SPRING",1,,,,,,,,,,,,,,,,,,,,,
4,2,,XM329830000,, COLLAR,1,,,,,,,,,,,,,,,,,,,,,
5,2,,XM860250000,, "WASHER 10",1,,,,,,,,,,,,,,,,,,,,,
6,2,,XM863720000,, NUT,1,,,,,,,,,,,,,,,,,,,,,
7,2,,129150-77210,, "PLATE ASSY",1,,,,,,,,,,,,,,,,,,,,,
8,3,,XM069000000,, CLAMP,1,,,,,,,,,,,,,,,,,,,,,
9,3,,XM081780000,, STATOR,1,,,,,,,,,,,,,,,,,,,,,
10,3,,XM178780000,, COUPLER,1,,,,,,,,,,,,,,,,,,,,,
12,3,,XYSPS400800,, SCREW,1,,,,,,,,,,,,,,,,,,,,,
13,3,,XYSPS402400,, SCREW,2,,,,,,,,,,,,,,,,,,,,,
14,3,,24107-062010,, "BALL BEARING",1,,,,,,,,,,,,,,,,,,,,,
15,2,,129150-77230,, "FLYWHEEL ASSY",1,,,,,,,,,,,,,,,,,,,,,
16,1,,26366-080002,, "NUT M 8",1,,,,,,,,,,,,,,,,,,,,,
17,1,,119810-77330,, ADJUSTER,1,,,,,,,,,,,,,,,,,,,,,
18,1,,26014-080252,, "BOLT M 8X 25",1,,,,,,,,,,,,,,,,,,,,,
18-1,1,,119810-77340,, BOLT,1,,,,,,N,,,E/#43600,,,,,,

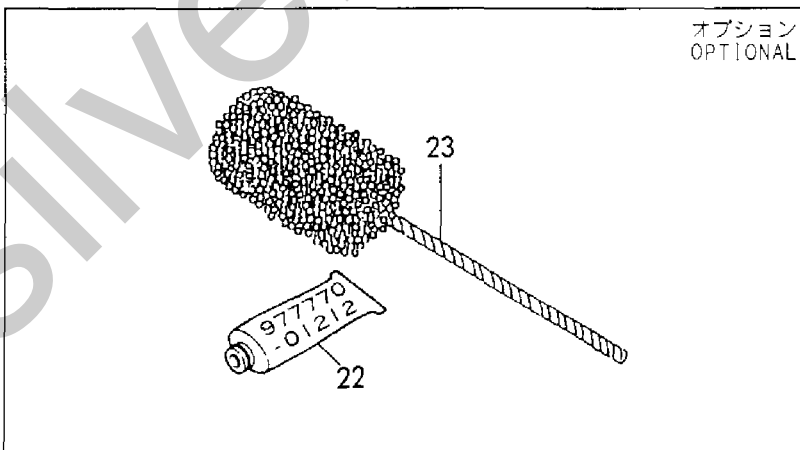
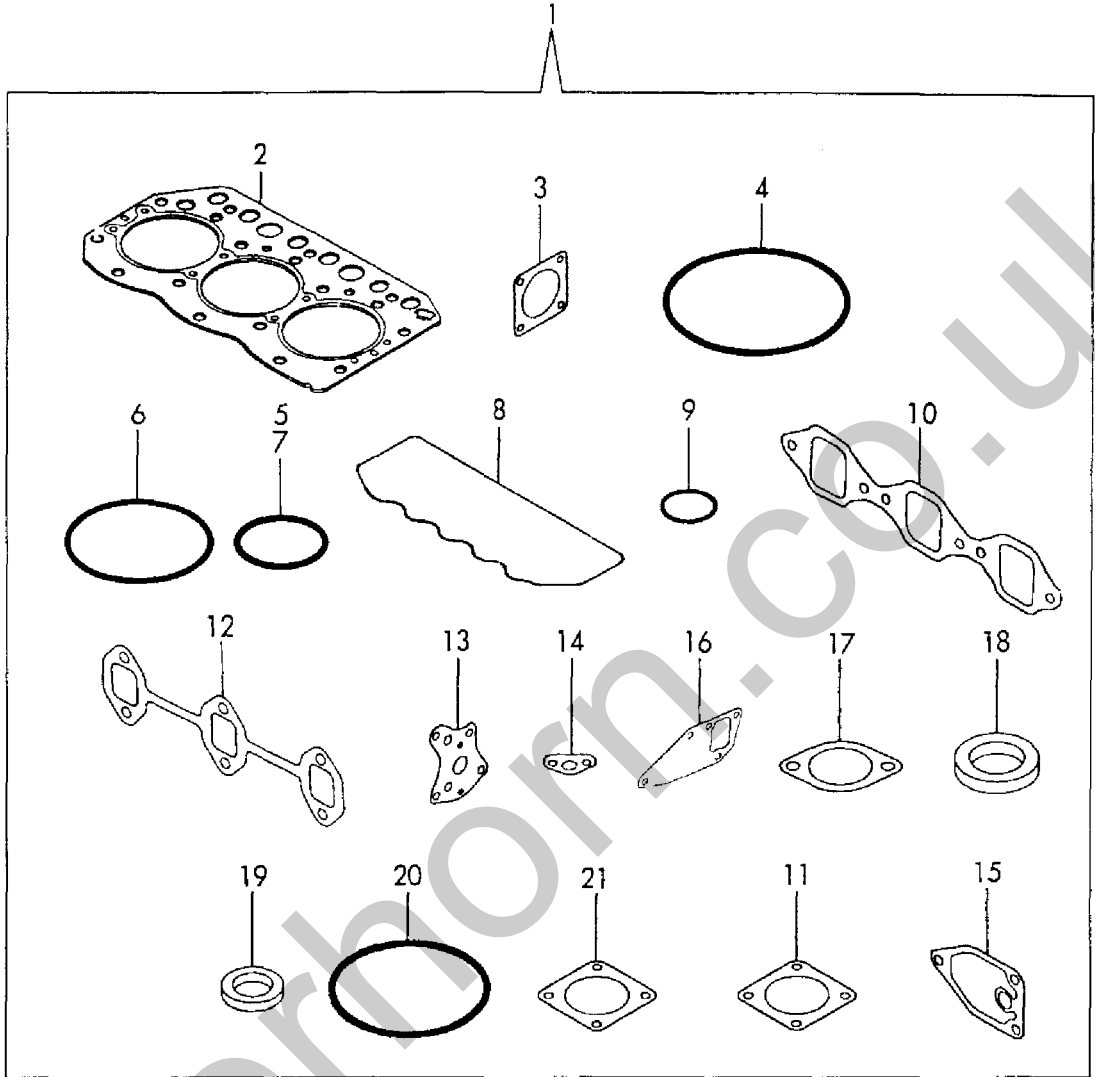
Silverhorn.CO.UK

Fig. 15 ジェネレータ
GENERATOR

1,1,,719812-92620,, "GASKET SET (NON.ASB.)",1,,,,,,,,1,,,,,,,,,
2,2,,119812-01330,, "GASKET, HEAD",1,,,,,,,,,
3,2,,124240-01883,, "GASKET, (NON-ASB.)",1,,,,,,,,,
4,2,,121850-51960,, "O-RING, F.I.PUMP",1,,,,,,,,,
5,2,,24311-000320,, "O-RING 1A P-32.0",2,,,,,,,,,
6,2,,24341-000500,, "O-RING 1A S-50.0",1,,,,,,,,,
7,2,,24311-000320,, "O-RING 1A P-32.0",1,,,,,,,,,
8,2,,119865-11310,, "GASKET, BONNET",1,,,,,,,,,
9,2,,24311-000120,, "O-RING 1A P 12.0",3,,,,,,,,,
10,2,,119810-12111,, "GASKET, (NON-ASB.)",1,,,,,,,,,
11,2,,124701-11911,, "GASKET, (NON-ASB.)",1,,,,,,,,,
12,2,,119810-13110,, "GASKET, EXH.MANIFOLD",1,,,,,,,,,
13,2,,129150-32020,, "GASKET, L.O. PUMP",1,,,,,,,,,
14,2,,129150-35041,, "GASKET, (NON-ASB.)",1,,,,,,,,,
15,2,,129150-35111,, "GASKET, (NON-ASB.)",1,,,,,,,,,
16,2,,129150-42020,, "GASKET, C.W. PUMP",1,,,,,,,,,
17,2,,129795-49551,, "GASKET, (NON-ASB.)",1,,,,,,,,,
18,2,,129150-49811,, "GASKET, (NON-ASB.)",1,,,,,,,,,
19,2,,124465-44950,, "GASKET 16",2,,,,,,,,,
20,2,,102103-55520,, "O-RING",1,,,,,,,,,
21,2,,129150-77511,, "GASKET, (NON-ASB.)",1,,,,,,,,,
22,1,,977770-01212,, "GASKET, LIQUID",1,,,,,,,,1,,,,,,,,,
23,1,,129400-92420,, "FLEX HORN",1,,,,,,,,1,,,,,,,,,

Silverhorn.CO.UK

Fig. 16 パッキンセット (オプション) & 工具
GASKET (OPTIONAL) & TOOL



0,Y00B5912
1,001,, "ENGINE 3TNE82A-BVA"
2,1,, "CYLINDER BLOCK", 3TNE82A-BVA,,,
2,2,, "GEAR HOUSING", 3TNE82A-BVA,,,
2,3,, "FLYWHEEL HOUSING & OIL SUMP", 3TNE82A-BVA,,,
2,4,, "CYLINDER HEAD & BONNET", 3TNE82A-BVA,,,
2,5,, "SUC. & EXH. MANIFOLD", 3TNE82A-BVA,,,
2,6,, "CAMSHAFT & DRIVE GEAR", 3TNE82A-BVA,,,
2,7,, "CRANKSHAFT & PISTON", 3TNE82A-BVA,,,
2,8,, "LUB. OIL SYSTEM", 3TNE82A-BVA,,,
2,9,, "COOLING WATER SYSTEM", 3TNE82A-BVA,,,
2,10,, "FUEL INJECTION PUMP", 3TNE82A-BVA,,,
2,11,, "GOVERNO", 3TNE82A-BVA,,,
2,12,, "FUEL INJECTION PIPE", 3TNE82A-BVA,,,
2,13,, "FUEL PIPE", 3TNE82A-BVA,,,
2,14,, "STARTING MOTOR", 3TNE82A-BVA,,,
2,15,, "GENERATOR", 3TNE82A-BVA,,,
2,16,, "GASKET SET(OPTIONAL) & TOOL", 3TNE82A-BVA,,,

Silverhorn.CO.UK